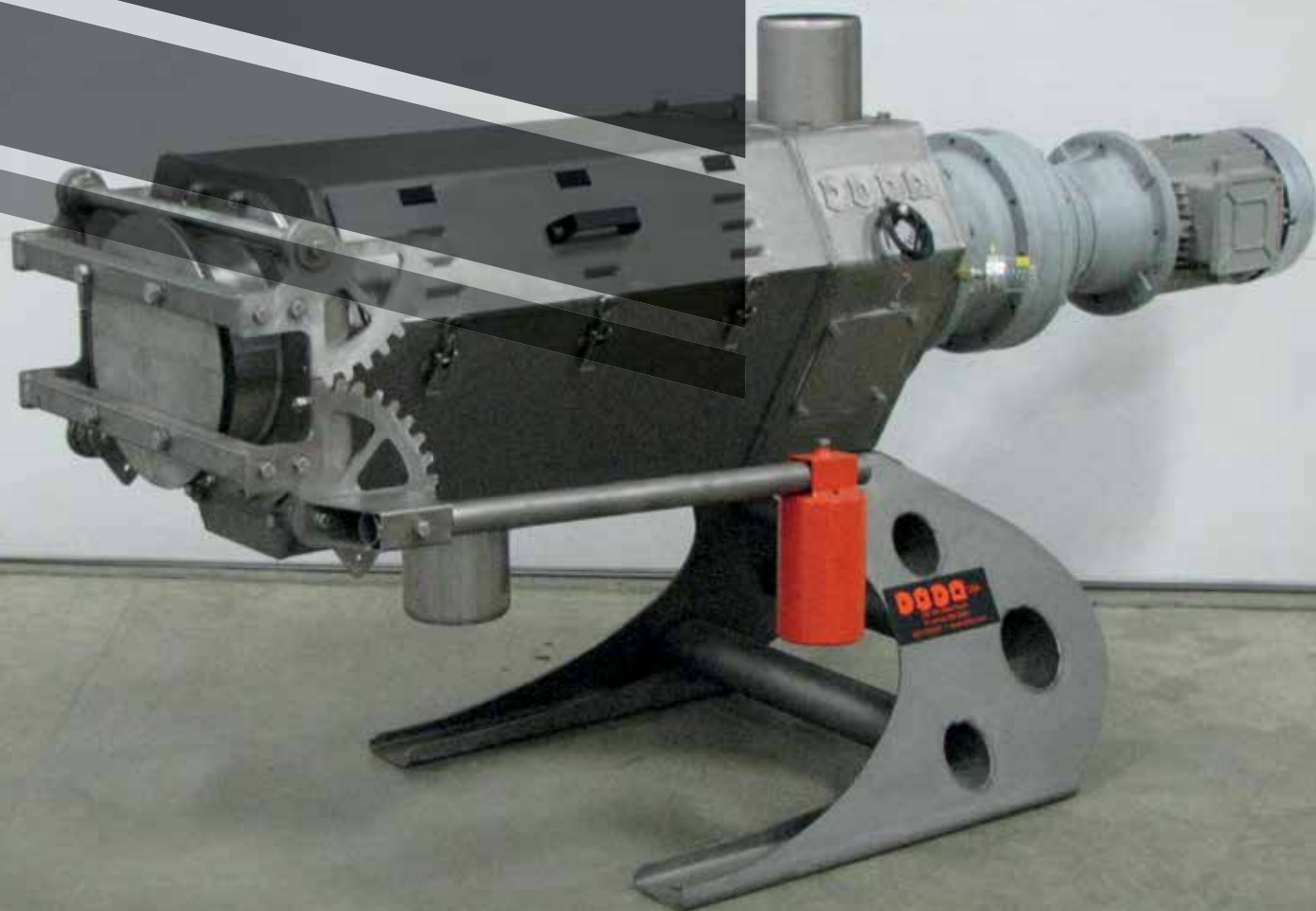


SCREW SEPARATORS

DODDA[®]





SCREW SEPARATORS



Doda's Screw Separator—with its compact design, easy installation, and simple to maintain features—is an excellent machine for the separation of solids from liquids and sludges using an auger rotating at 30 RPM inside two wedge wire screens.

780 SCREW SEPARATOR

The 780 model features a 780mm length separation chamber and two screens.

Doda's heavy duty screens come in a variety of sizes 1.0mm, 0.75mm, 0.50mm, 0.25mm are standard, other sizes are available upon request. The larger 780 model comes standard with two 390mm screens or optional with 520mm and 260mm screens. A larger screen in the first stage of the separation for fast dewatering and a smaller opening screen for the final compression stage for higher capture rate of solids is a popular option. The screw separator has an average throughput of 4,000 Gal/H depending on the percent of solids, type of solids and their size.

Choose the system right for your operation.

SCREW SEPARATOR FEATURES

AISI 304 STAINLESS STEEL CONSTRUCTION

The exterior and interior is completely fabricated in 304 stainless steel. The design of the base plate assures quick installation almost anywhere.

VERSATILE INTAKE DESIGN

Doda's intake design allows the intake chamber of the separator to be fed from the bottom or top.

PLANETARY DRIVE SYSTEM

The heavy duty planetary drive system on the 780 is powered by a 15 HP high efficiency C-Face electrical motor. The 780 model comes with reversible wear rings and a tungsten carbide seal system to assure you of never contaminating the drive system.

ADVANTAGES

- > Reduce odor in solids and increases storage capacity
- > Less sedimentation for improved aerobic process in lagoon
- > Less maintenance and longer lagoon operation before cleaning
- > Suitable for compost or green bedding for dairy industry



MORE GREAT FEATURES

CONSISTENT FEED AND OVERFLOW SYSTEM

Feeding from the bottom the material enters the intake chamber passing through the internal chopping system and feeding the auger in the dewatering chamber. Any excess material flows up the equalizer tube and overflows to the bypass tube. This excess material then returns to the reception pit, assuring maximum product throughput at all times. Product solid matter variance is thus compensated for. The equalizer/bypass tube (over pressure tower) is also designed to supply a constant head pressure assuring consistent performance. A six inch diameter bottom discharge takes care of the separated effluent.



INTERNAL CHOPPING SYSTEM

Designed with eight chopping blades of vanadium and manganese alloyed steel. These blades are positioned precisely in the intake chamber and work with the auger to chop undesirable material before entering the dewatering/compression chamber.



SOLIDS DISCHARGE DOOR AND OPENING

Doda's specially designed solids discharge door and opening has several unique features. The door is made of two pieces that opens in the center for solids discharge. Leverage arms apply pressure to the doors via adjustable weights to adjust dryness of the solids. The outlet flange opening is designed to remove the auger without removing the complete door assembly and weights—allows for easy maintenance and cleaning.

Automatic adjustable weight system is available as optional equipment.



HEAVY DUTY STAINLESS STEEL AUGER

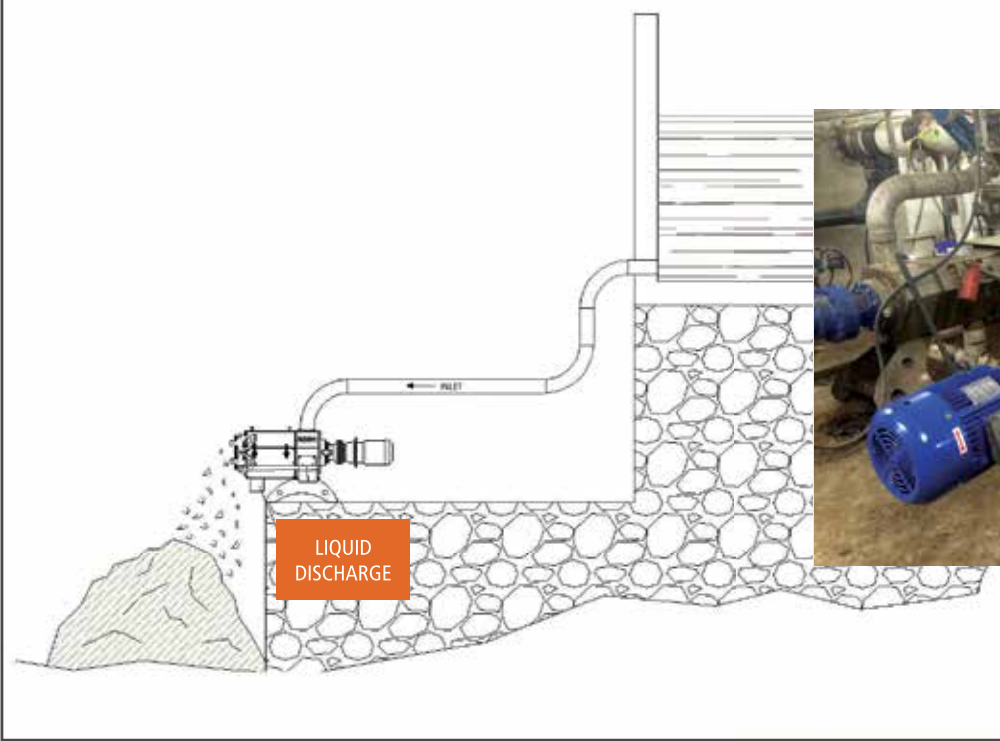
Doda's heavy duty auger is cast in 316 stainless steel and then hardened and precision machined for consistent quality and dimension repeatability. Standard four and a half inch or six inch diameter center tube augers for additional compression and dewatering are available.

EASY ACCESS FOR INSPECTION OR CLEANING

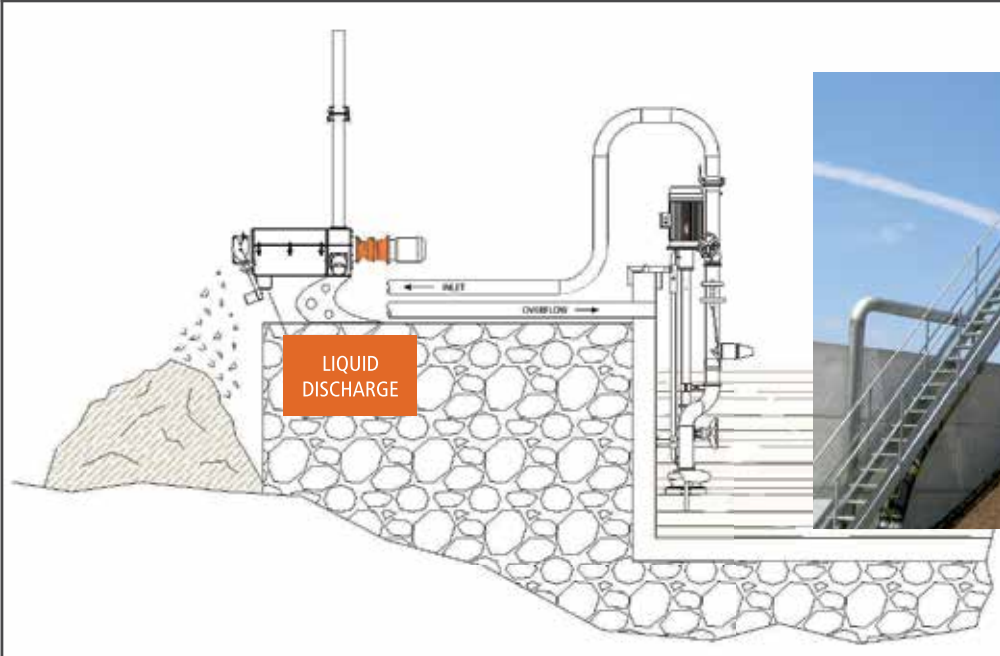
Removable access cover gives easy access to the separation chamber for cleaning and inspection. An internal automatic washing system is available as optional equipment.

PLANT DIAGRAMS

PLANT WITH GRAVITY FEED

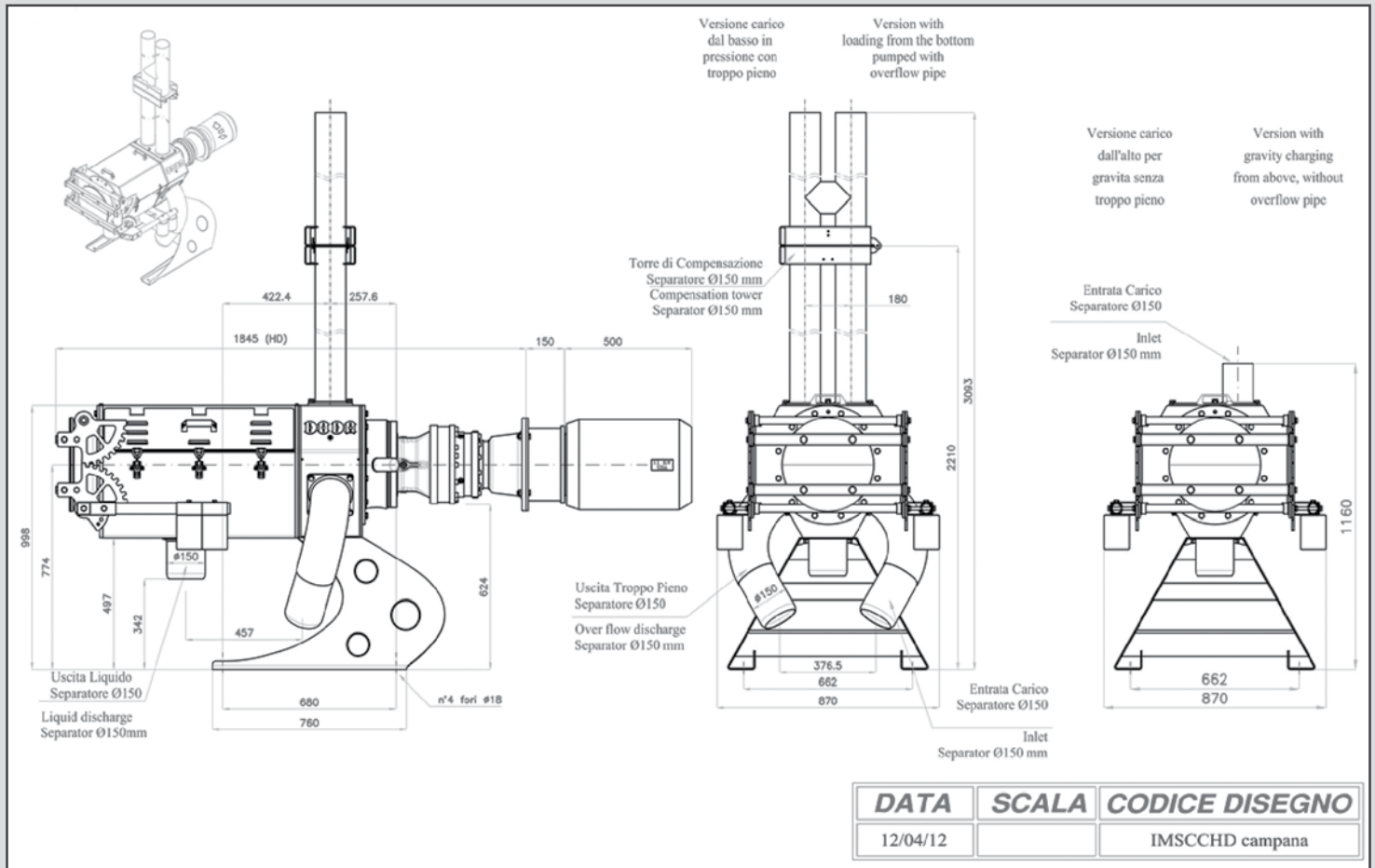


PLANT WITH LOADING PUMP



Visit dodausa.com to check out our other waste solution products.

OVERALL DIMENSIONS



AUTO-ADJUSTABLE ELECTRICAL WEIGHTS

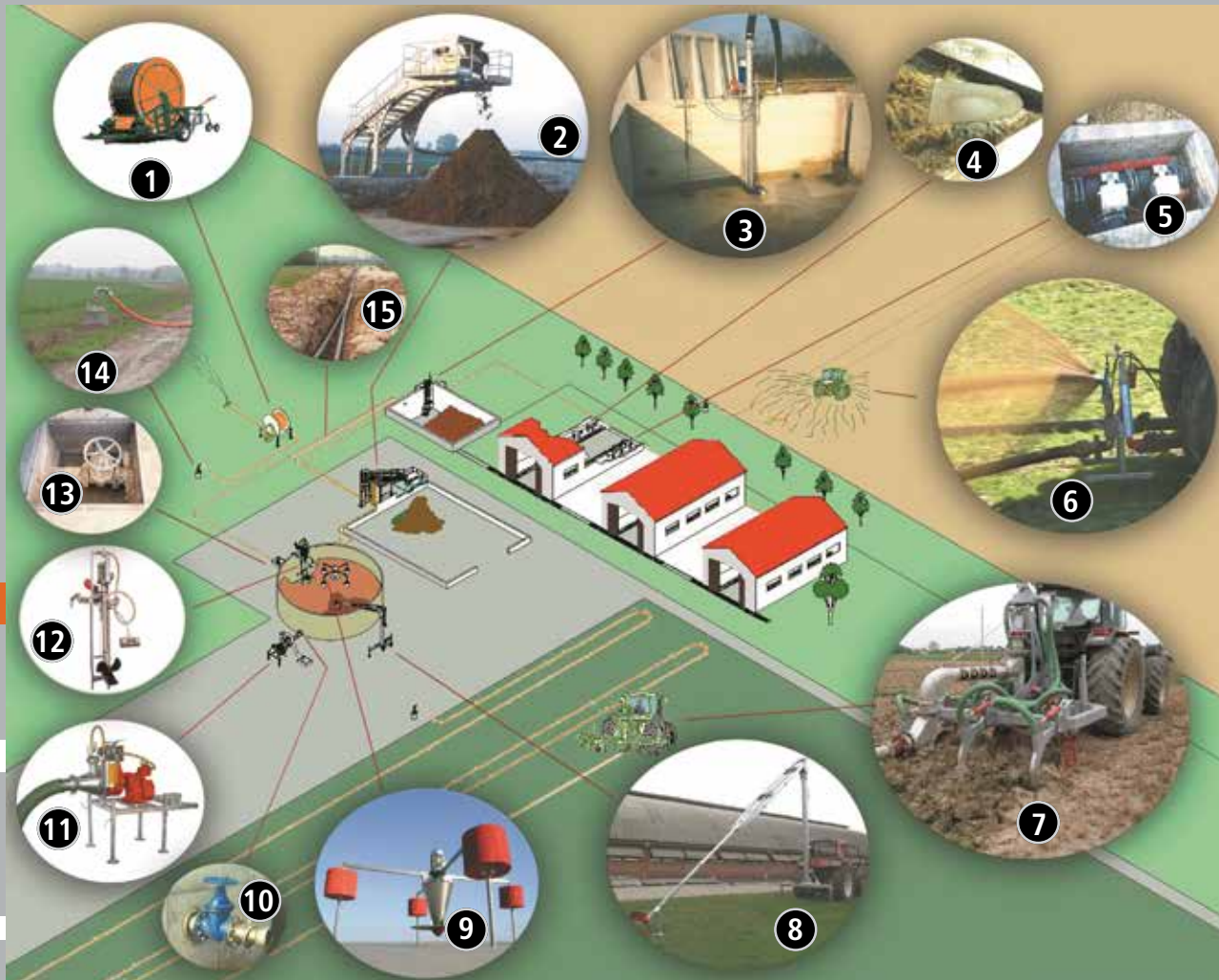
The optional auto-adjustable electrical weight kit monitors the main auger motor amps and adjusts the weights on the leverage arms to achieve a consistent product throughout the separation process.



CUSTOMIZED CONTROL PANEL

Doda offers customized control panels which can be set up to operate the entire manure separation system or adapt to your existing system built for single phase or three phase power supply.

TOTAL SYSTEM



- 1 Hose reel
- 2 Separator and separated solid
- 3 SUPER chopper pump
- 4 Pop-off valve
- 5 Switch valve
- 6 Umbilical equipment and broad spreader
- 7 Umbilical system and direct injector spreader
- 8 ALPI mixer
- 9 DAERMIX
- 10 Overflow valve
- 11 AFI horizontal chopper pump
- 12 MOVRED mixer
- 13 Drainage valve for dilution
- 14 Outlet line connection
- 15 PVC underground line

DODA[®]

dodausa.com > 507.375.5577 > St. James, MN

All data indicated are approximate and the manufacturer reserves the right to make changes without prior notice.