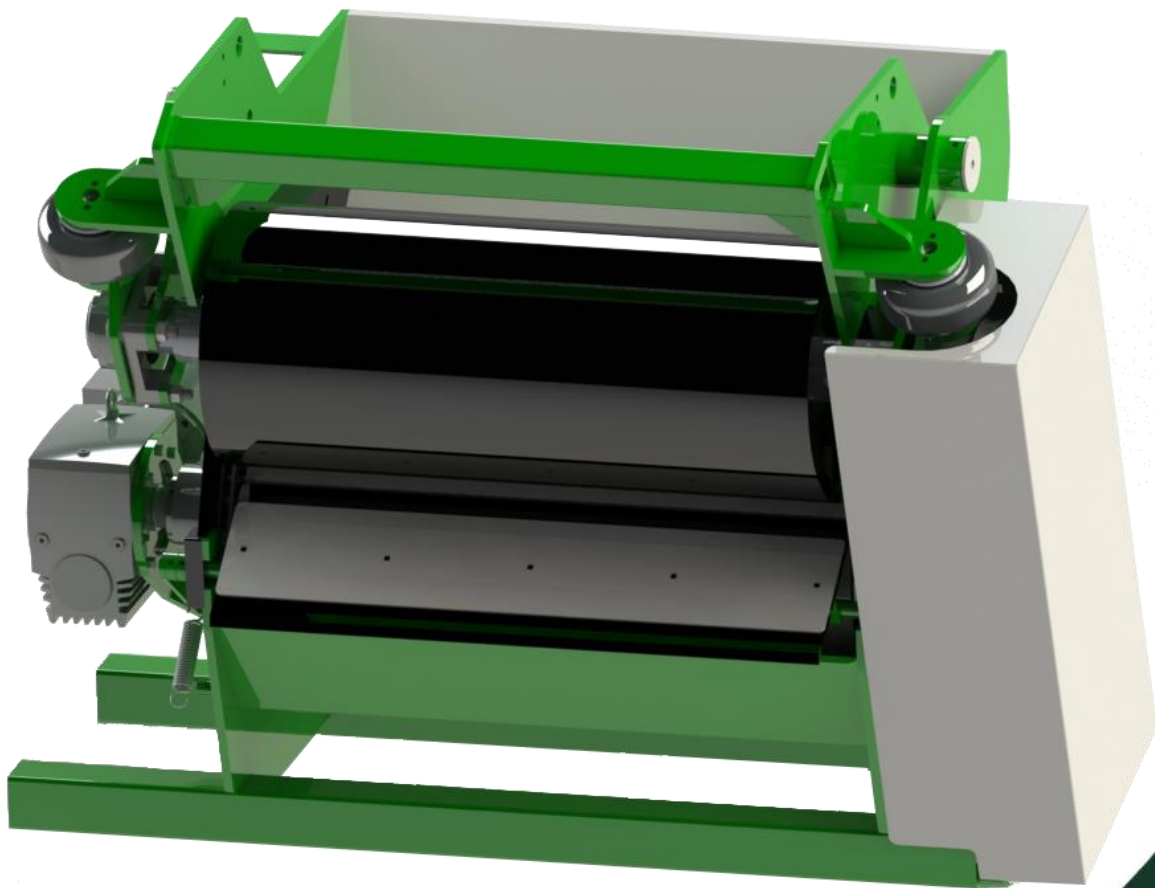




DT Roller Press Separator

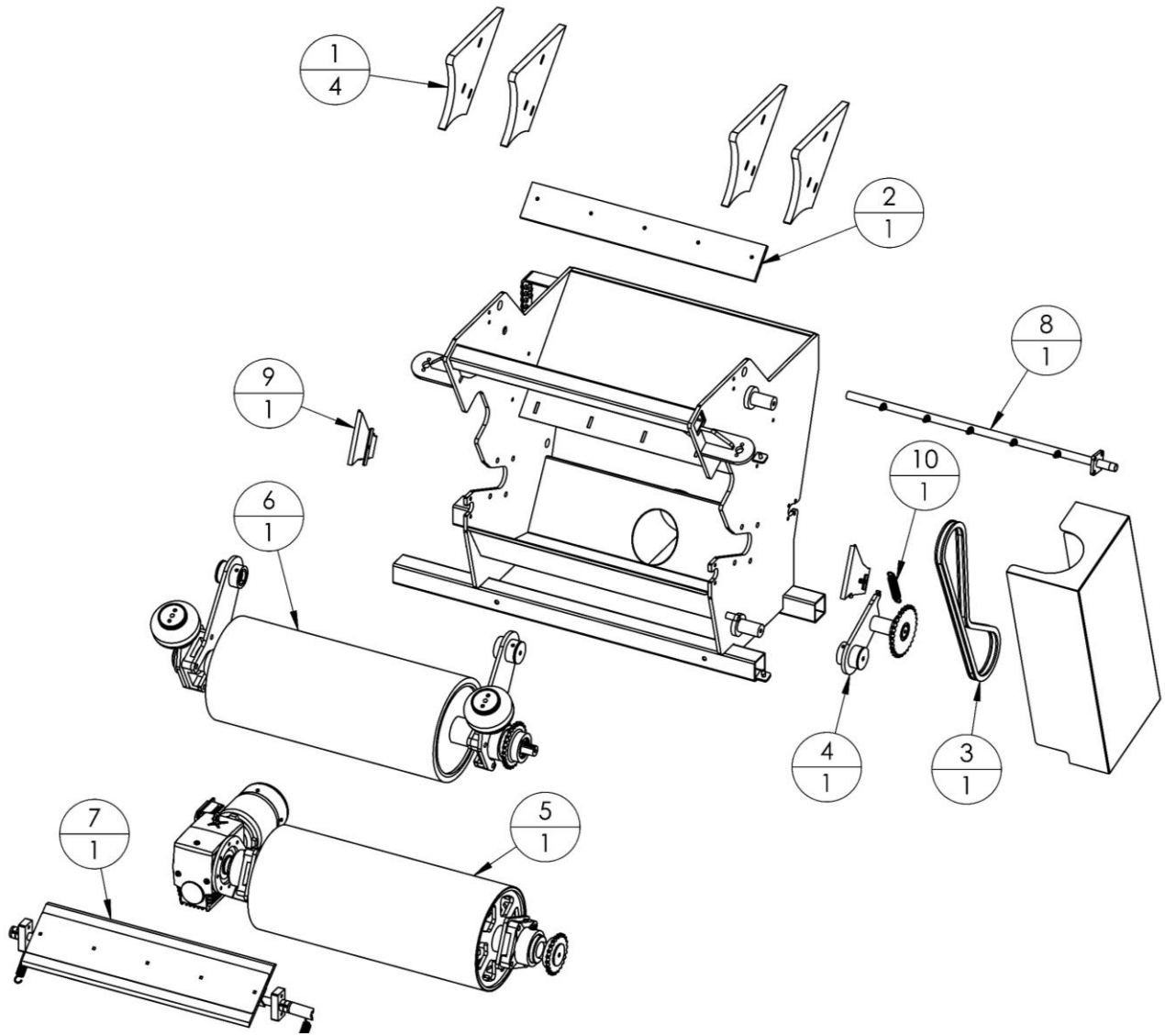
Part Manual



For Model:

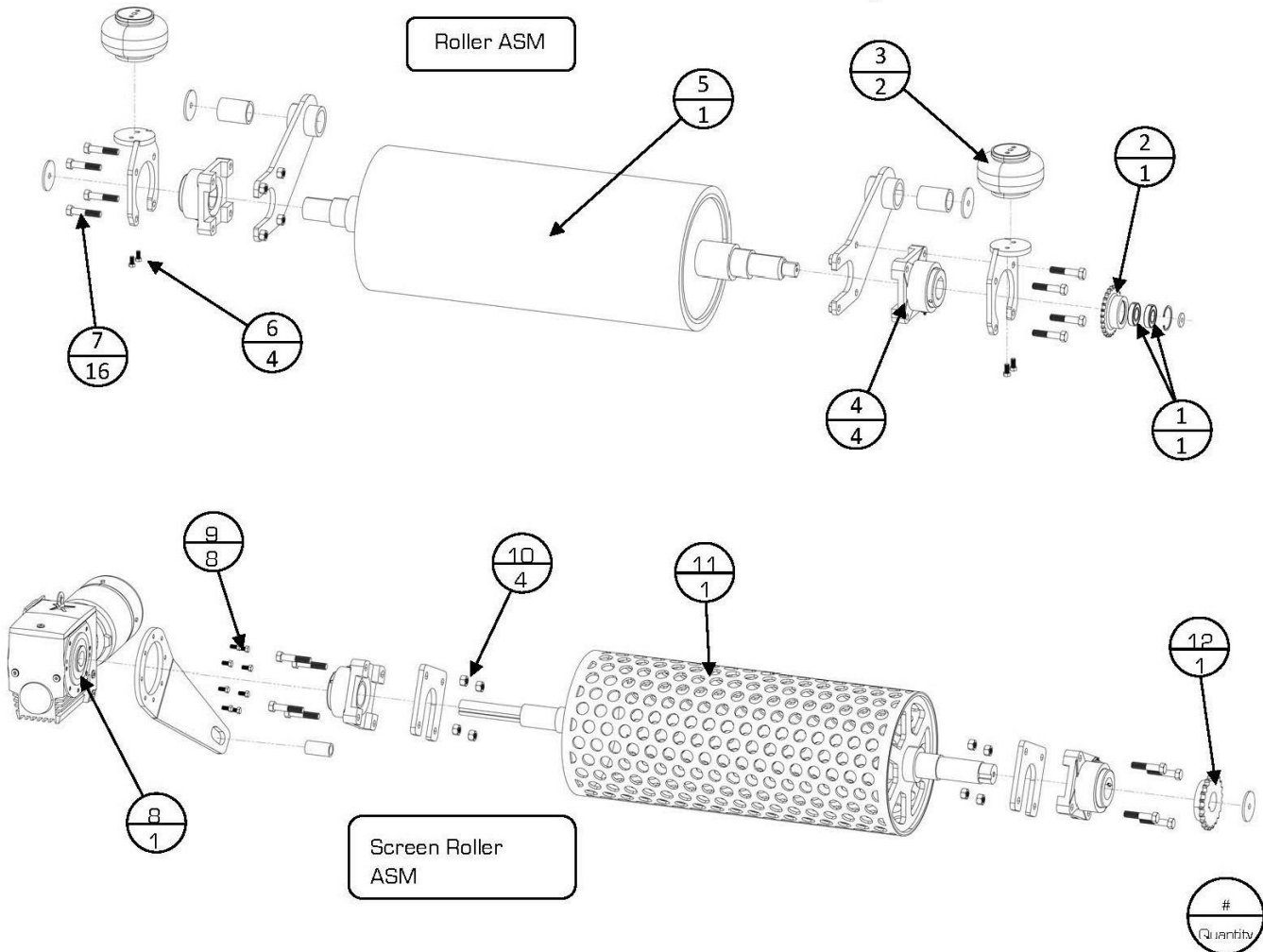
DT 2-Roller 34 Inch Air Press – Rev. 3.1

DT 2-Roller 34 Inch Air Press – Components



Label	Part #	Description
1	X878	1" UHMW Roller Press Guide
2	Z298	Rubber lip seal - 3' 2-roller press, 1/2" black rubber
3	E296	Aqua Anti-Corrosive Drive 6' Chain [Sold by the foot]
	O109	60 Aqua Chain Connector Link
	N180	60 Aqua Chain Off Set Link
4	A202	Idler Sprocket 28T
5	—	Screen Roller ASM
6	—	Roller ASM
7	—	Scraper ASM
8	M795	Spray Bar – Replacement Spray Nozzle (Optional)
9	J283	UHMW 2-Roller Slot Plug <i>(Specify Left or Right at time of order)</i>
10	P855	Stainless Steel Extension Spring – 4-1/2" – 52.08 lb/in

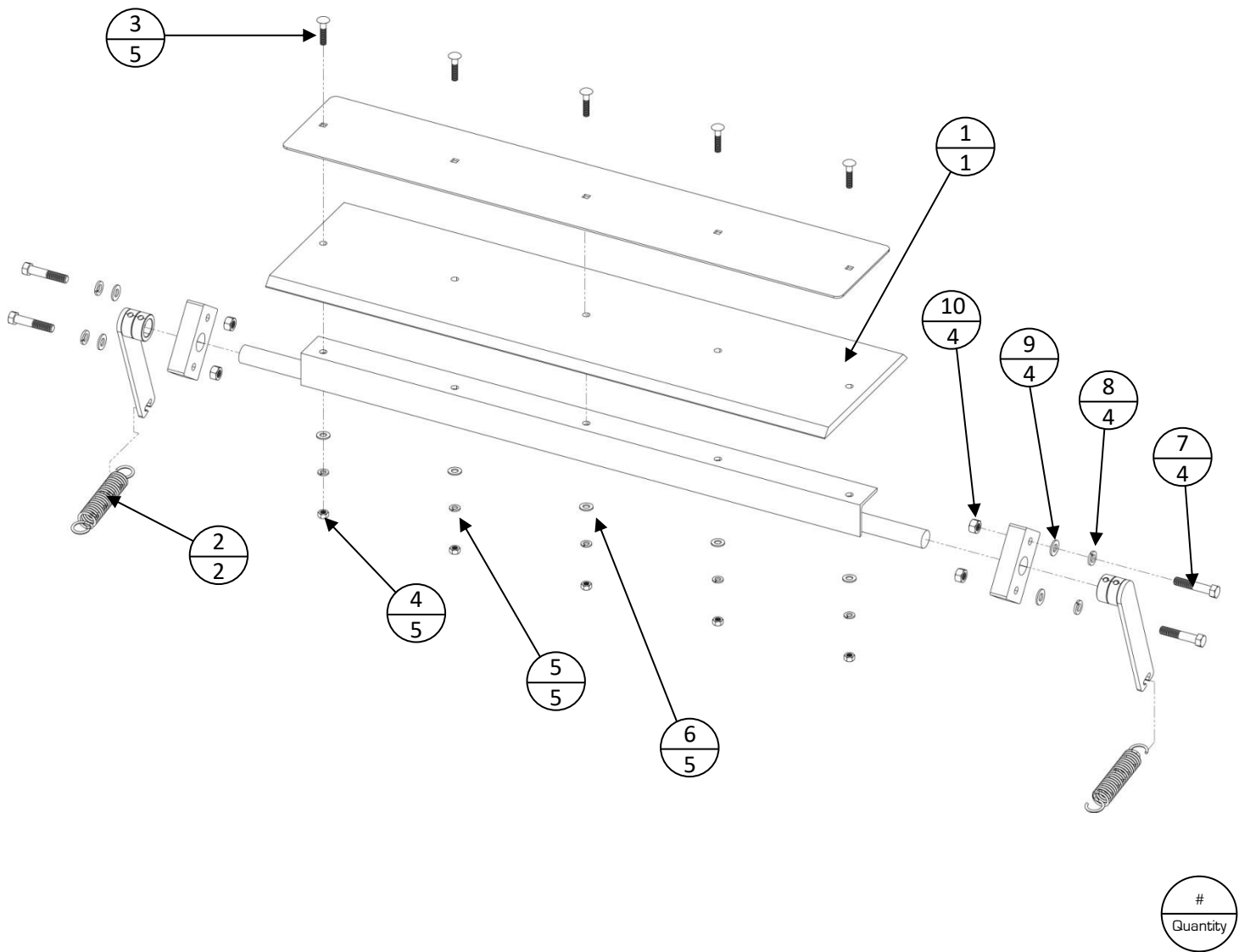
DT 2-Roller 34 Inch Air Press - Roller Assembly



Label	Part #	Description
1	K760	Clutch Bearing
2	N148	60-25T Clutch Drive Sprocket
3	X289	6.5in Bellow Air Bag
4	C177	4 Bolt Flange Bearing
5	J549	DT RP Air 34" Replacement Roller
6	O443	3/8"-16 X 1" SS Bolt
7	B718	5/8"-11 X 3-1/2"SS Bolt
8	B685	1-1/2 HP / 3PH Motor & Gearbox Assembly
	Q139	Gearbox Only
	Y197	Motor Only
9	O443	3/8"-16 X 1" SS Bolt
10	R655	5/8"-11 SS Nut
11	T854	DT RP Air 34" Replacement Screen Roller
12	K349	22 tooth 60 series B sprocket

*Items not listed are considered non-common replacement parts and can be custom ordered upon request.

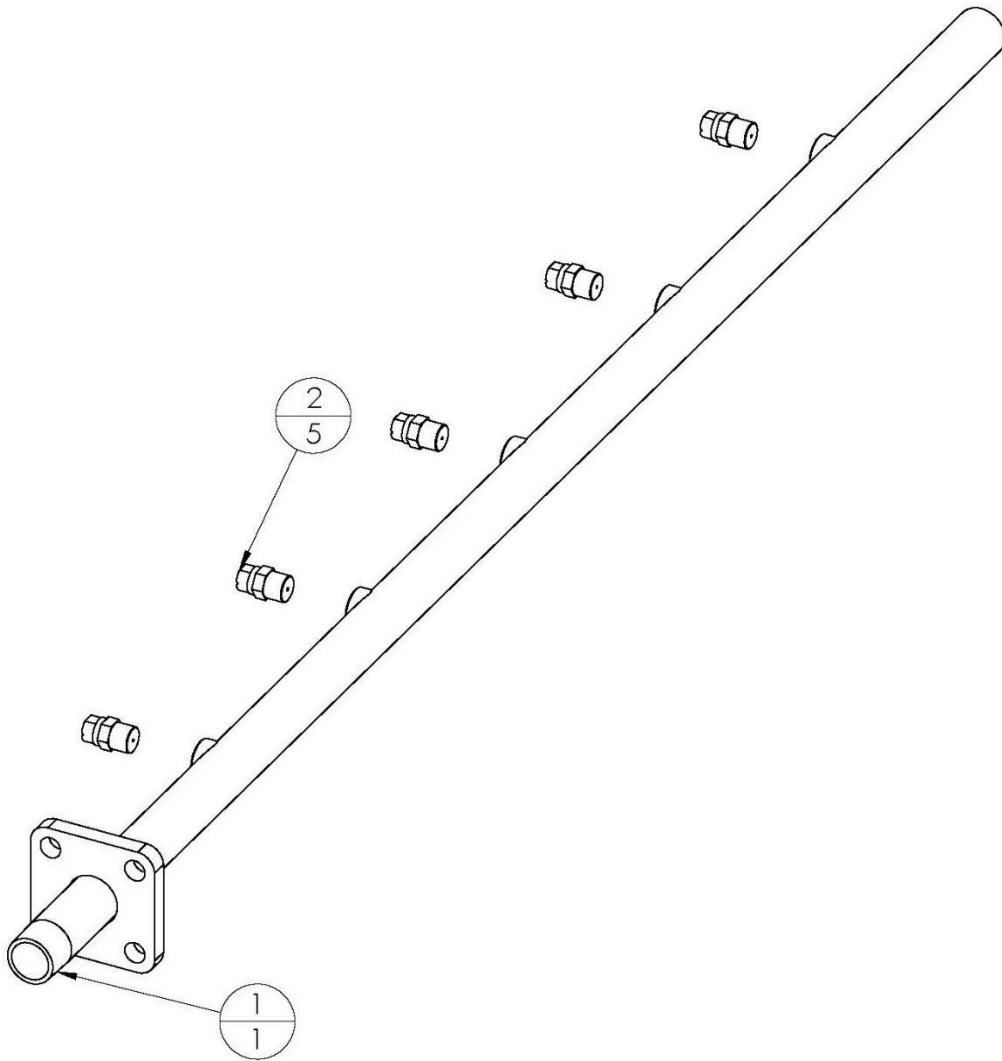
DT 2-Roller 34 Inch Air Press - Scraper Assembly



Label	Part #	Description
1	L640	34" Screen Scraper DT RP
2	S660	6" SS Spring
3	V307	5/16"-18 X 1-1/2" Carriage Bolt
4	S581	5/16" SS Nut
5	T829	5/16" SS Lock Washer
6	Q797	5/16" SS Flat Washer
7	K895	3/8"-16 X 2" SS Bolt
8	G736	3/8" SS Lock Washer
9	E143	3/8" SS Flat Washer
10	P398	3/8" SS Nut

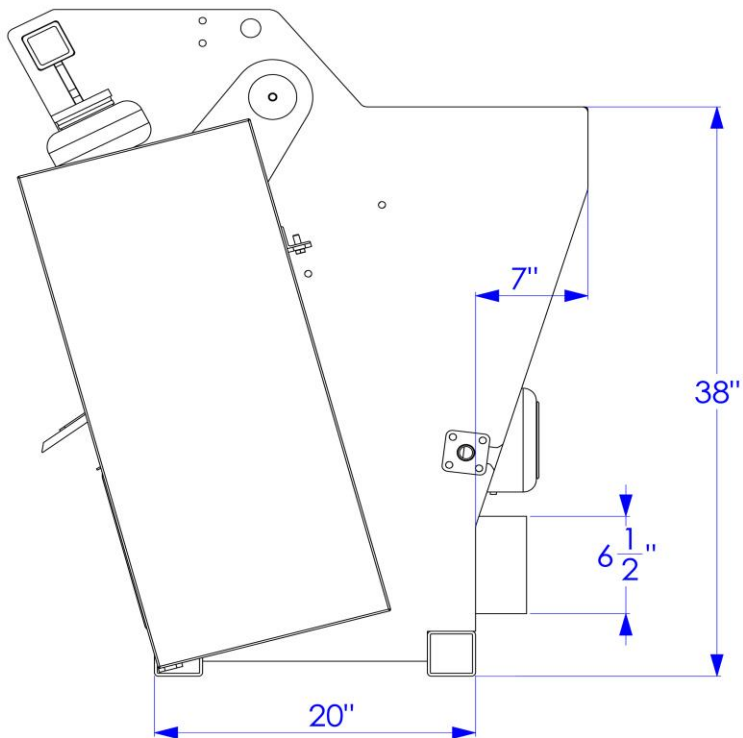
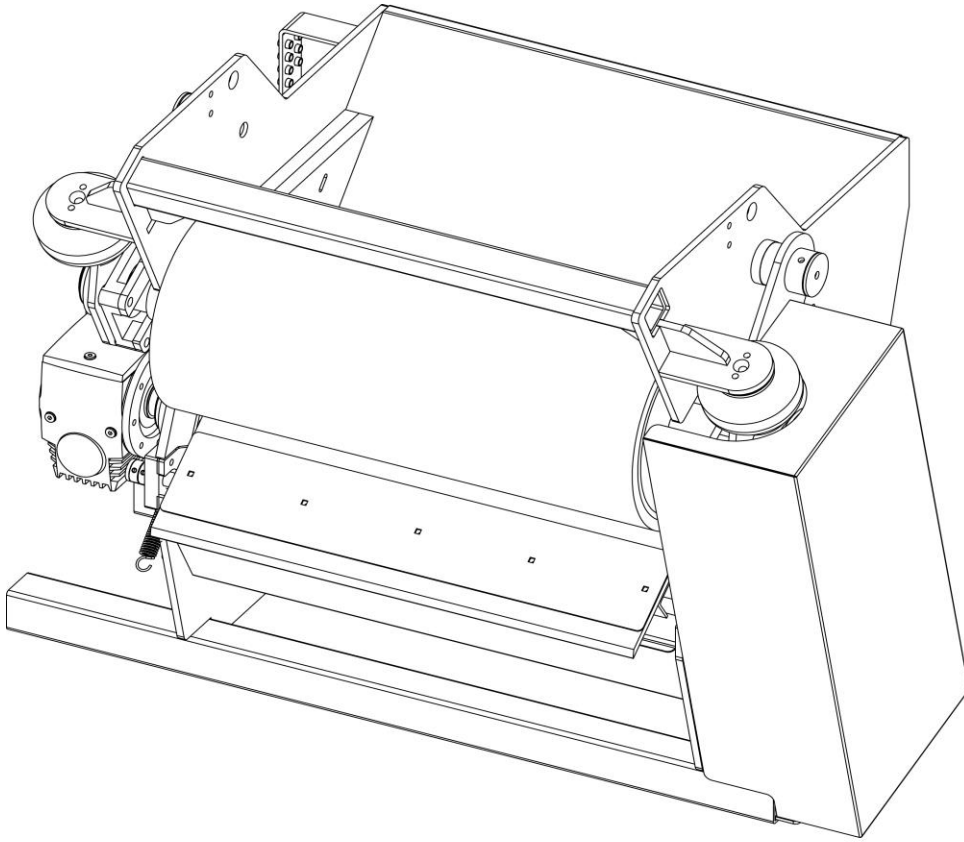
*Items not listed are considered non-common replacement parts and can be custom ordered upon request.

DT 2-Roller 34" Air Press – Optional Spray Bar

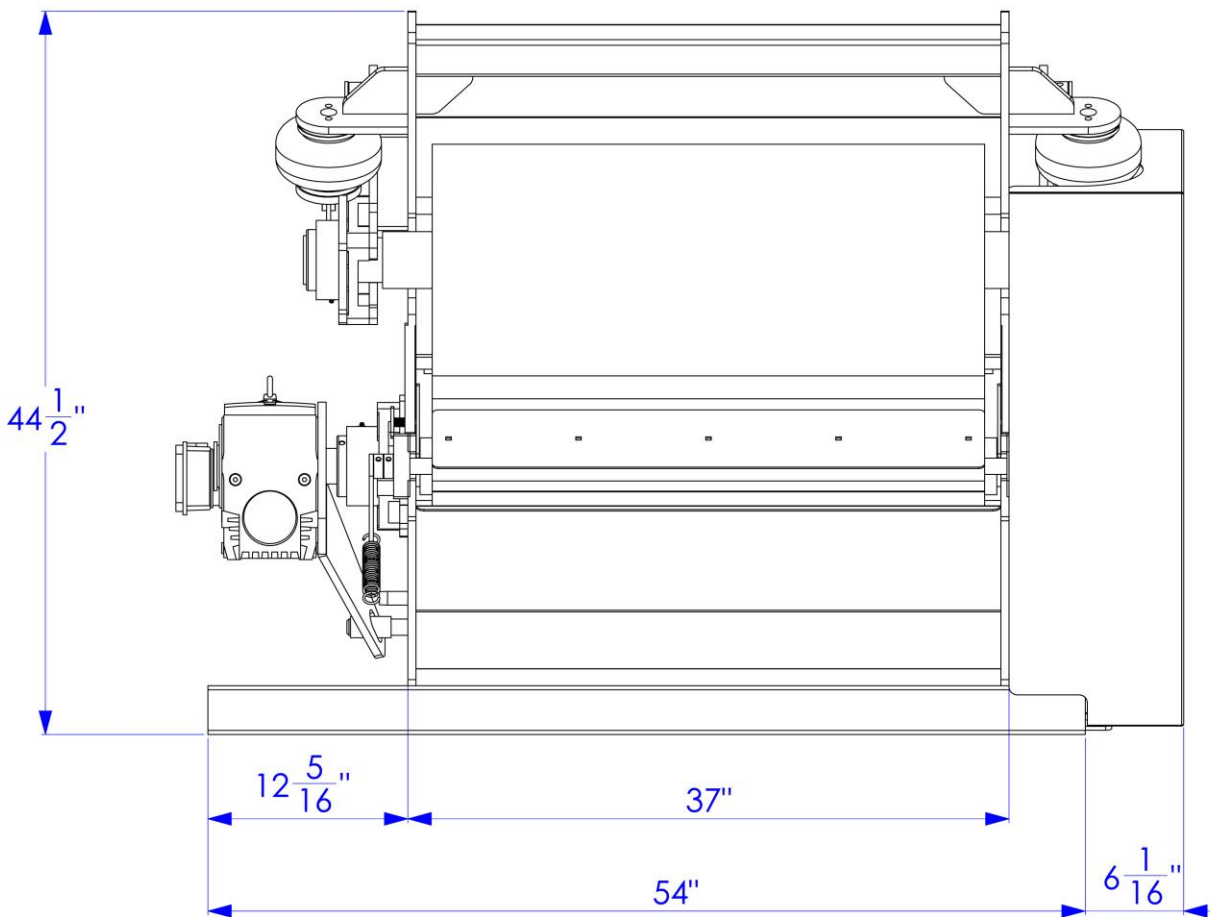
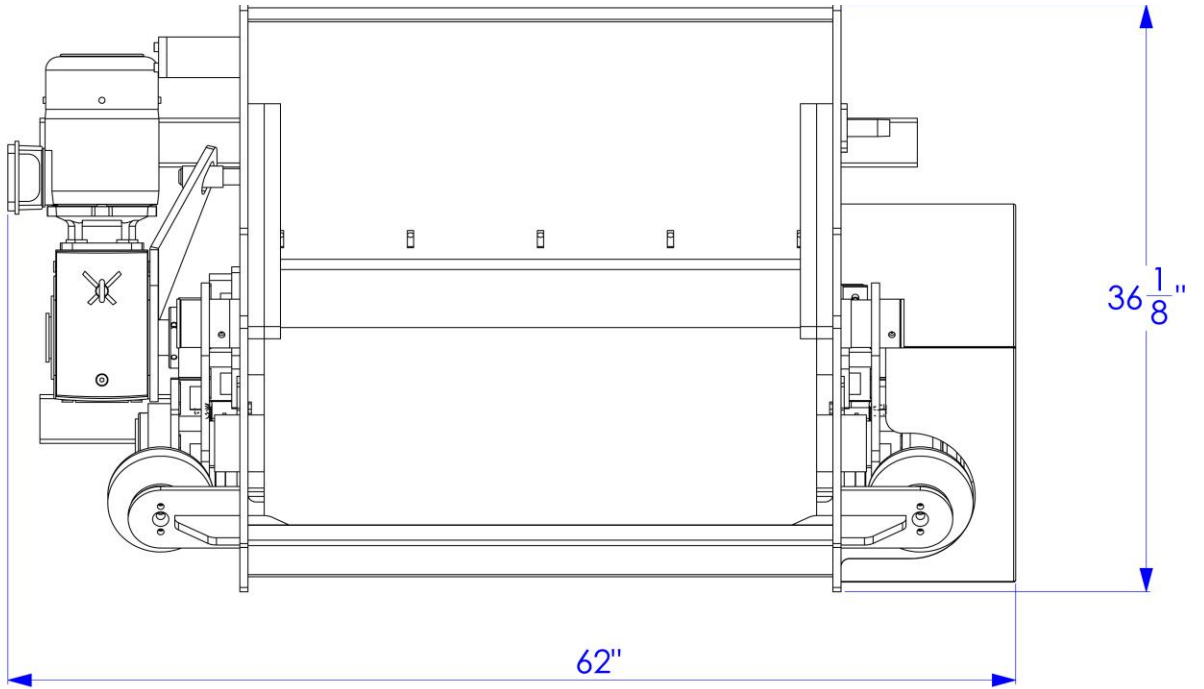


Label	Part#	Description
1	M795	Spray Bar With Nozzles
2	R455	95-10 Nozzles only

DT 2-Roller 34 Inch Air Press - Overall Dimensions



DT 2-Roller 34 Inch Air Press - Overall Dimensions



For Technical Support, to order Replacement Parts, or for questions about other products, please
contact your local dealer.
