



DARITECH INC

Manure Management

The **DTX**

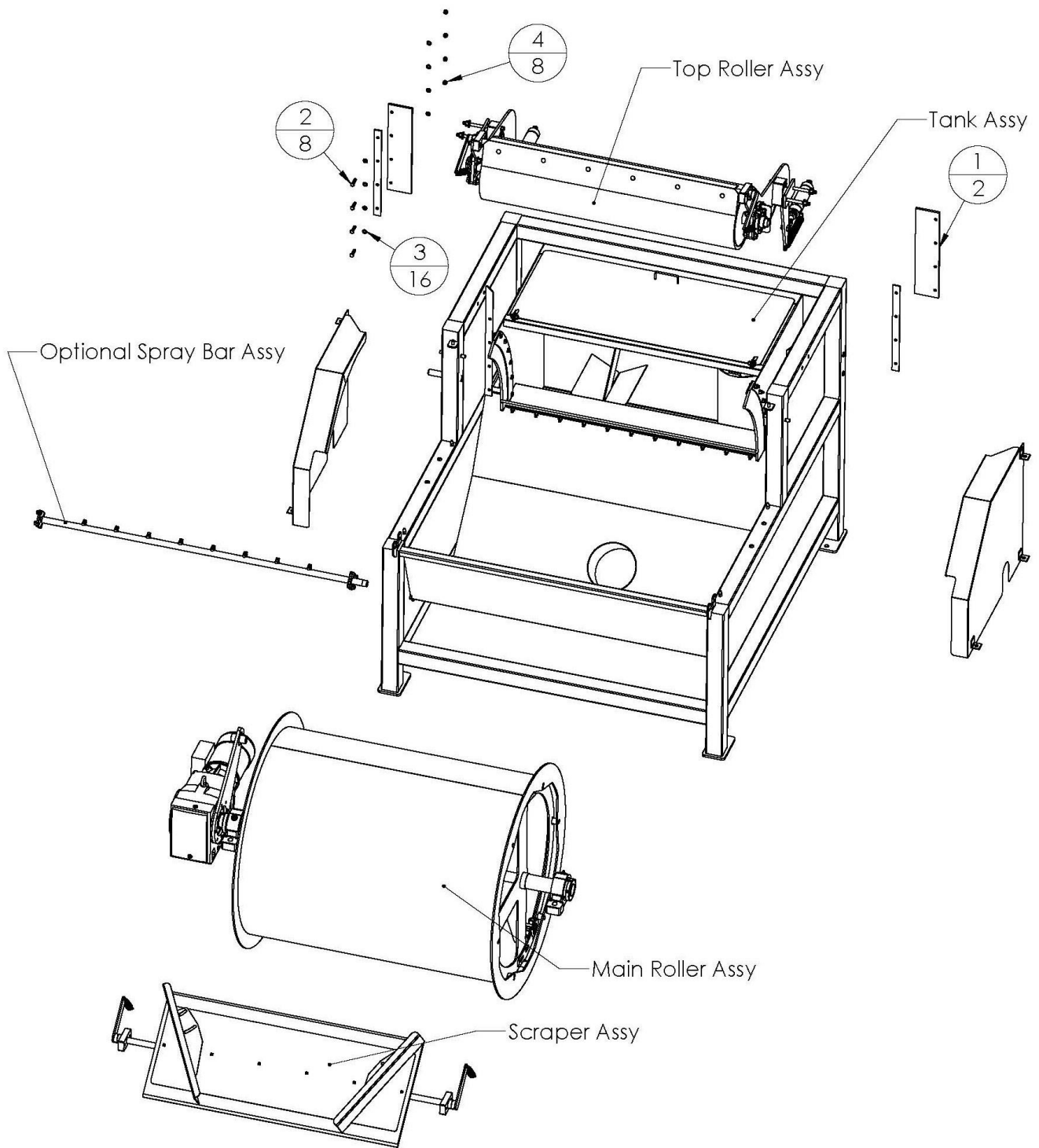
Part Manual



For Model:

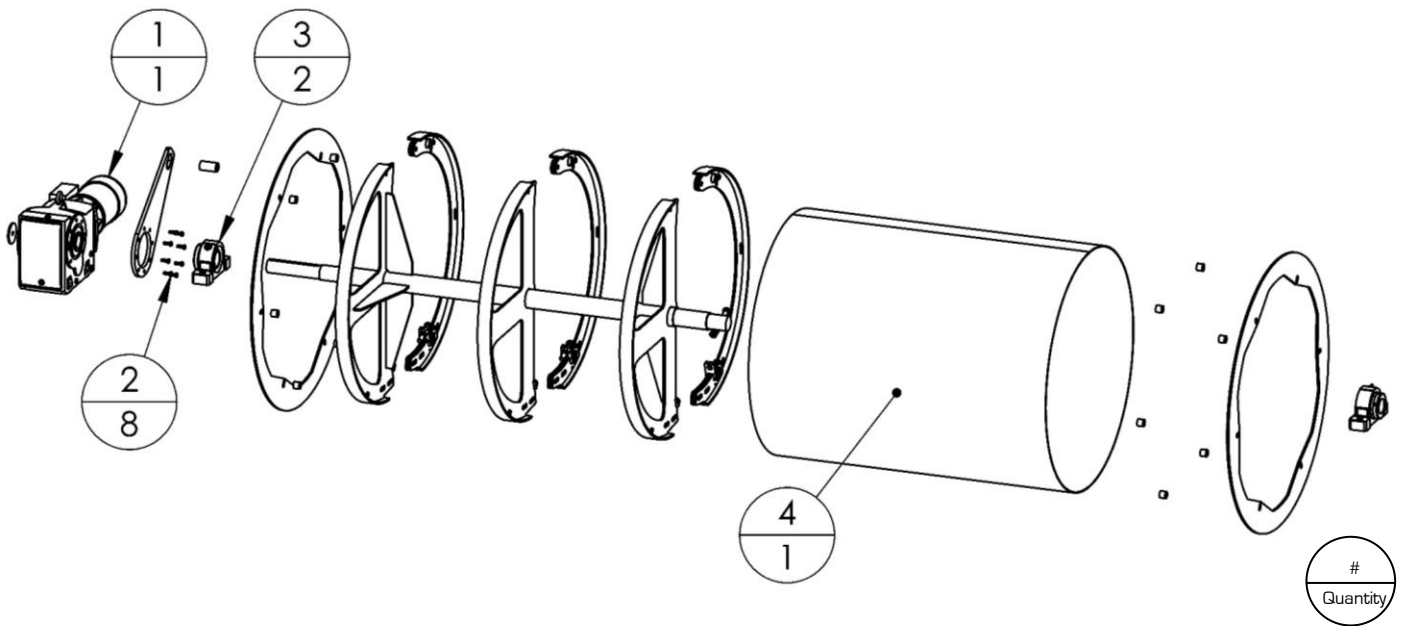
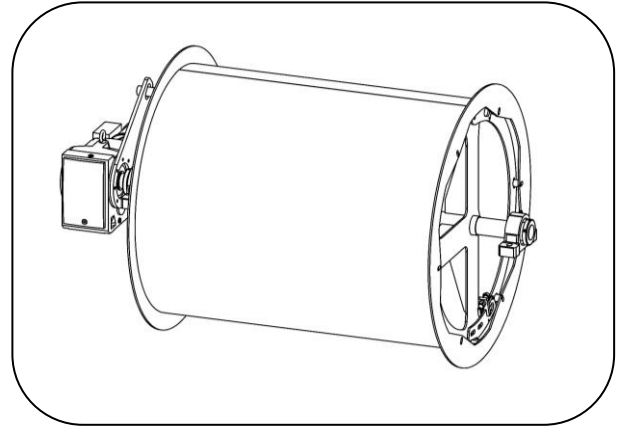
DTeXternal Separator 48"
(DTX)

DTX 48" - Components



Label	Part #	Description
1	A207	DTX Vertical Rubber Strip
2	L580	3/8"-16 x 1-1/4" SS Hex Head Bolt
3	E143	3/8" SS Flat Washer
4	M156	3/8"-16 SS Nylock Nut

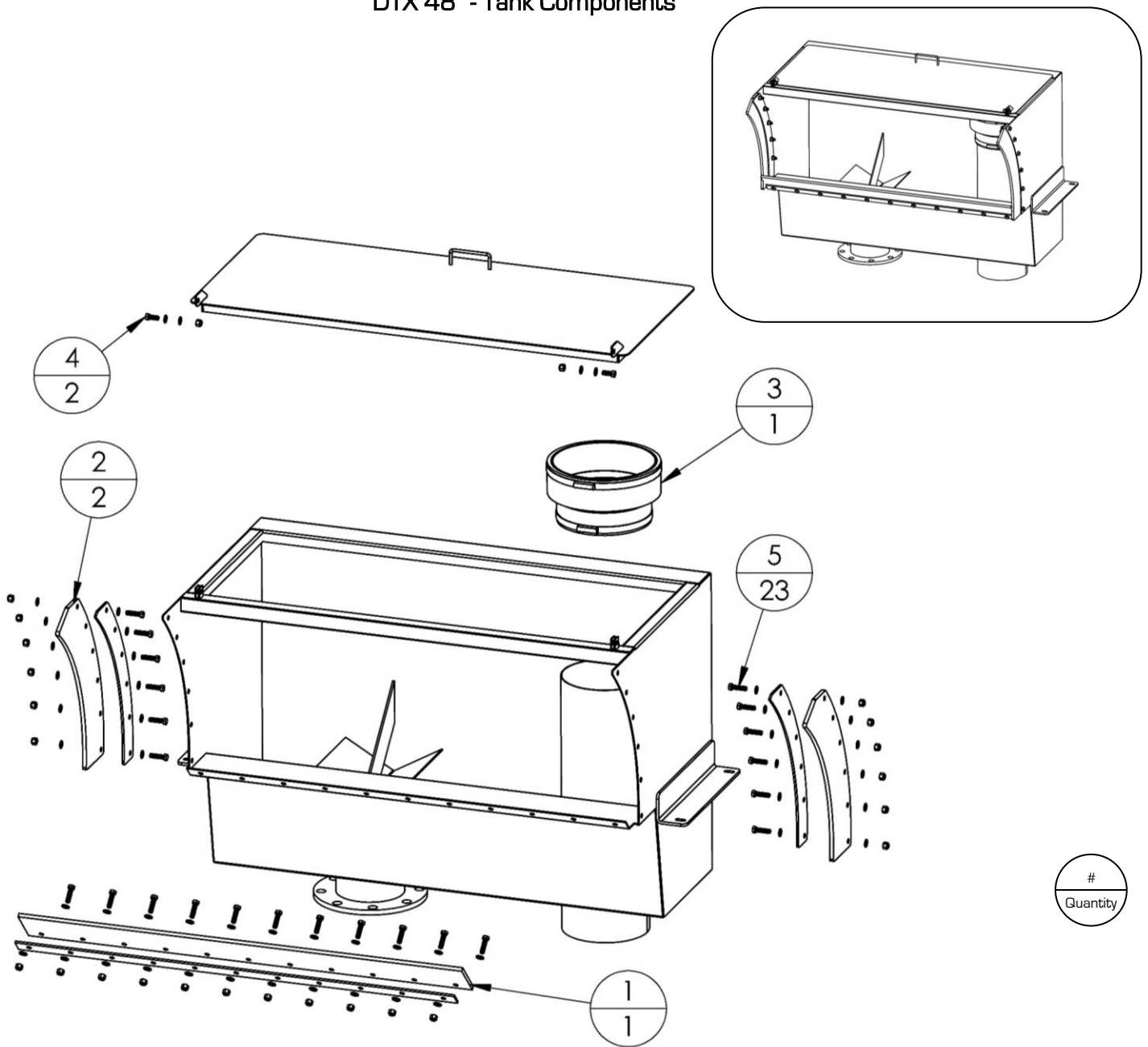
DTX 48" – Main Roller ASM



Label	Part #	Description
1	Z134	Nord Gearbox with 1 HP Motor
	O149	Motor Only
	Q759	Gearbox Only
2	T534	M8 - 1.25 X 25mm SS Bolt
3	G469	Pillow Bearing 2-3/16"
4	G663	48" DTX Perforated Complete Screen (Bolt Together/Re-Screenable
	T662	DTX 48" Replacement 1/16" Screen Shell Only
	L360	1/8" Screen Wrap Only For 48" DTX
	V567	48" DTX Wedge Wire Screen Only

*Items not listed are considered non-common replacement parts and can be custom ordered upon request.

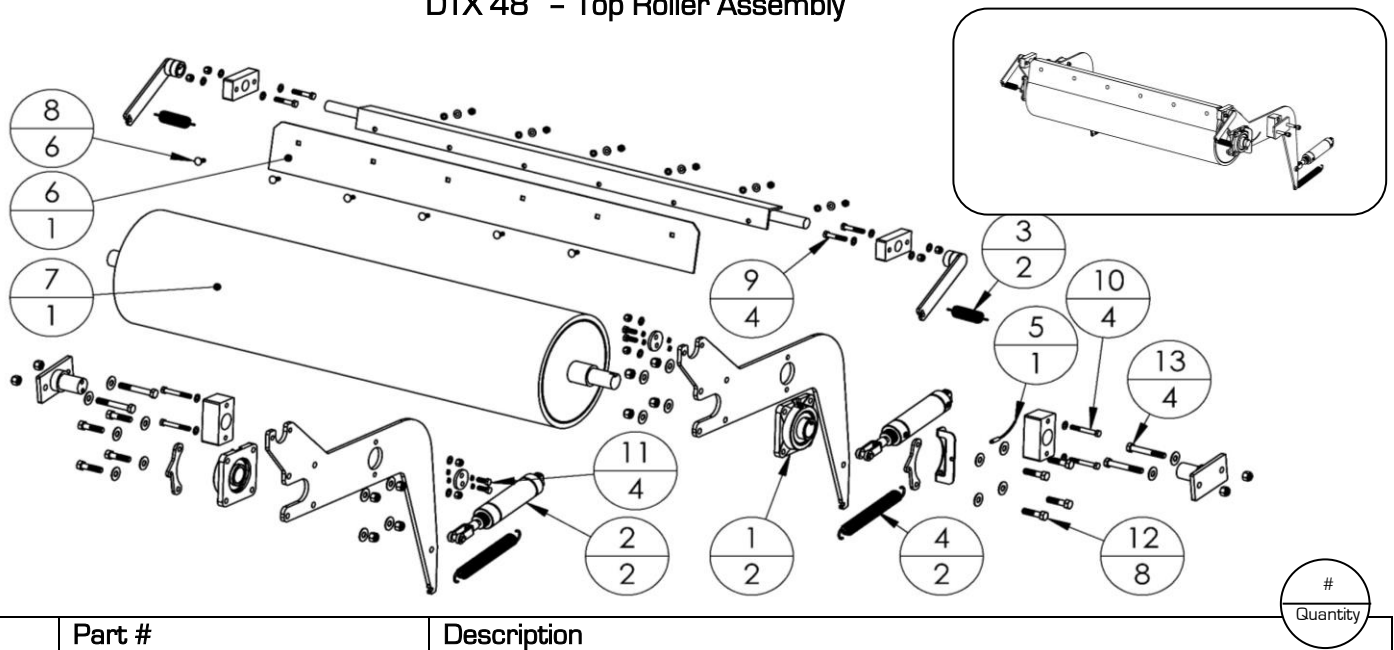
DTX 48" - Tank Components



Label	Part #	Description
1	L789	DTX Bottom Rubber
2	L746	DTX Side Rubber
3	P775	Bypass Rubber Extension
4	O443	3/8"-16 X 1" SS Hex Head Bolt
	E143	3/8" - 7/8" SS Flat Washer
	M156	3/8" - 16 SS Nylok Nut
5	Z175	3/8" - 16 X 1-1/2" SS Hex Head Bolt
	E143	3/8" - 7/8" SS Flat Washer
	M156	3/8" - 16 SS Nylok Nut

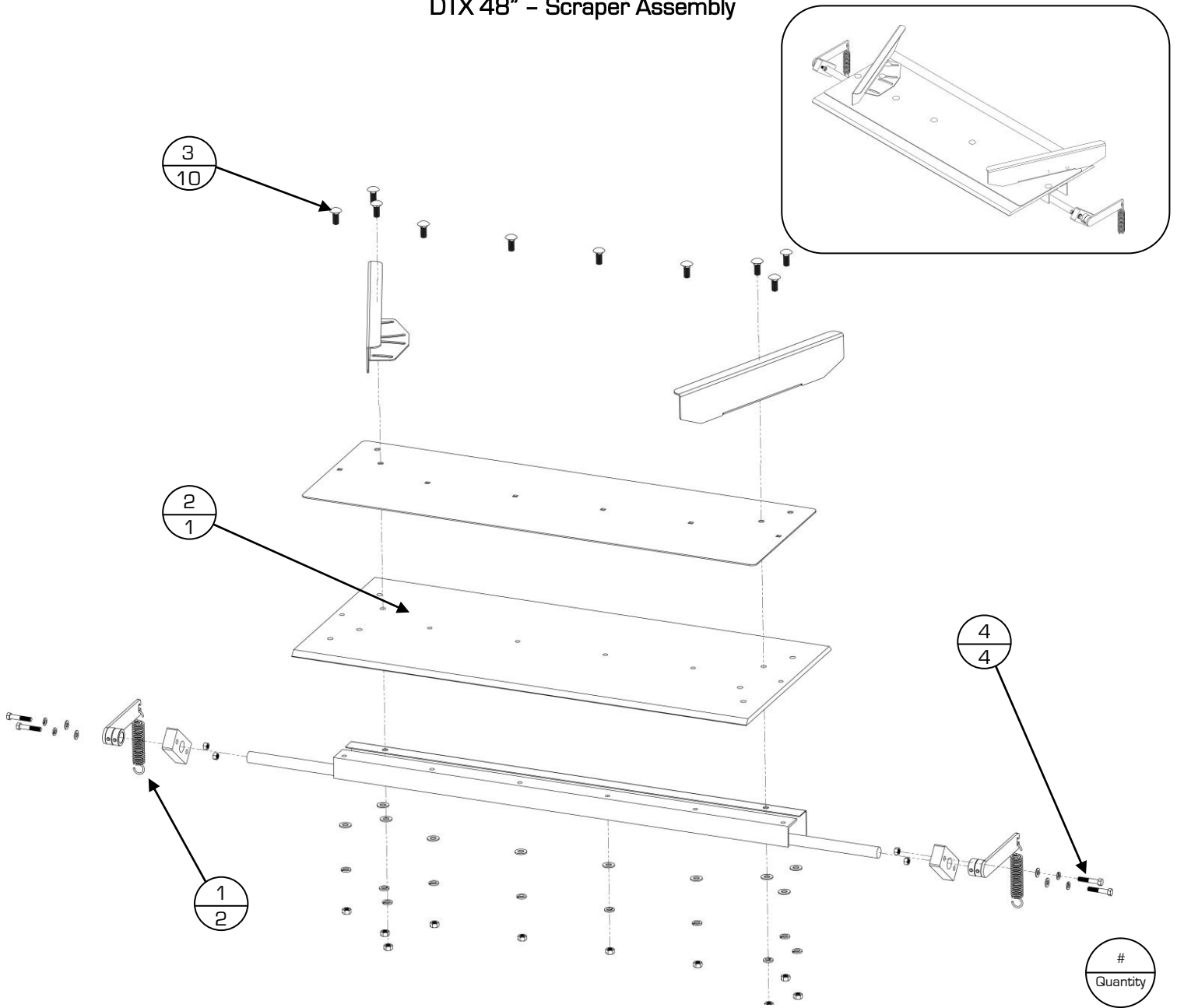
*Items not listed are considered non-common replacement parts and can be custom ordered upon request.

DTX 48" - Top Roller Assembly



Label	Part #	Description
	J363	48" DTX Scraper ASM Complete w/ Arms & Springs
1	X862	4-bolt flange bearing
2	E304	2 X 4 Air Cylinder
3	Z346	1" x 8" Extension Spring
4	Q211	Extension Spring for top Roller Arm
5	M548	Proximity Sensor
6	K278	DTX Top Roller Scraper
7	X567	DTX Top Roller
8	U130	5/16" X 1" Carriage Bolt
	S581	5/16" - 18 SS Nut
	J470	5/16" SS Lock Washer
	Q797	5/16" - 3/4" SS Flat Washer
9	K895	3/8" - 16 X 2" SS Hex Head Bolt
	E143	3/8" SS Flat Washer
	M156	3/8" - 16 SS Nylock Nut
10	G780	3/8" - 16 X 2-3/4" SS Hex Head Bolt
	E143	3/8" SS Flat Washer
	M156	3/8" - 16 SS Nylock Nut
11	O443	3/8" - 16 X 1" SS Hex Head Bolt
	G736	3/8" SS Split Lock Washer
12	D131	1/2" -13 X 2" SS Hex Head Bolt
	U124	1/2" SS Flat Washer
	F567	1/2" - 13 SS Nylock Nut
13	L899	1/2" -13 X 4-1/2" SS Hex Head Bolt
	U124	1/2" SS Flat Washer
	F567	1/2" - 13 SS Nylock Nut

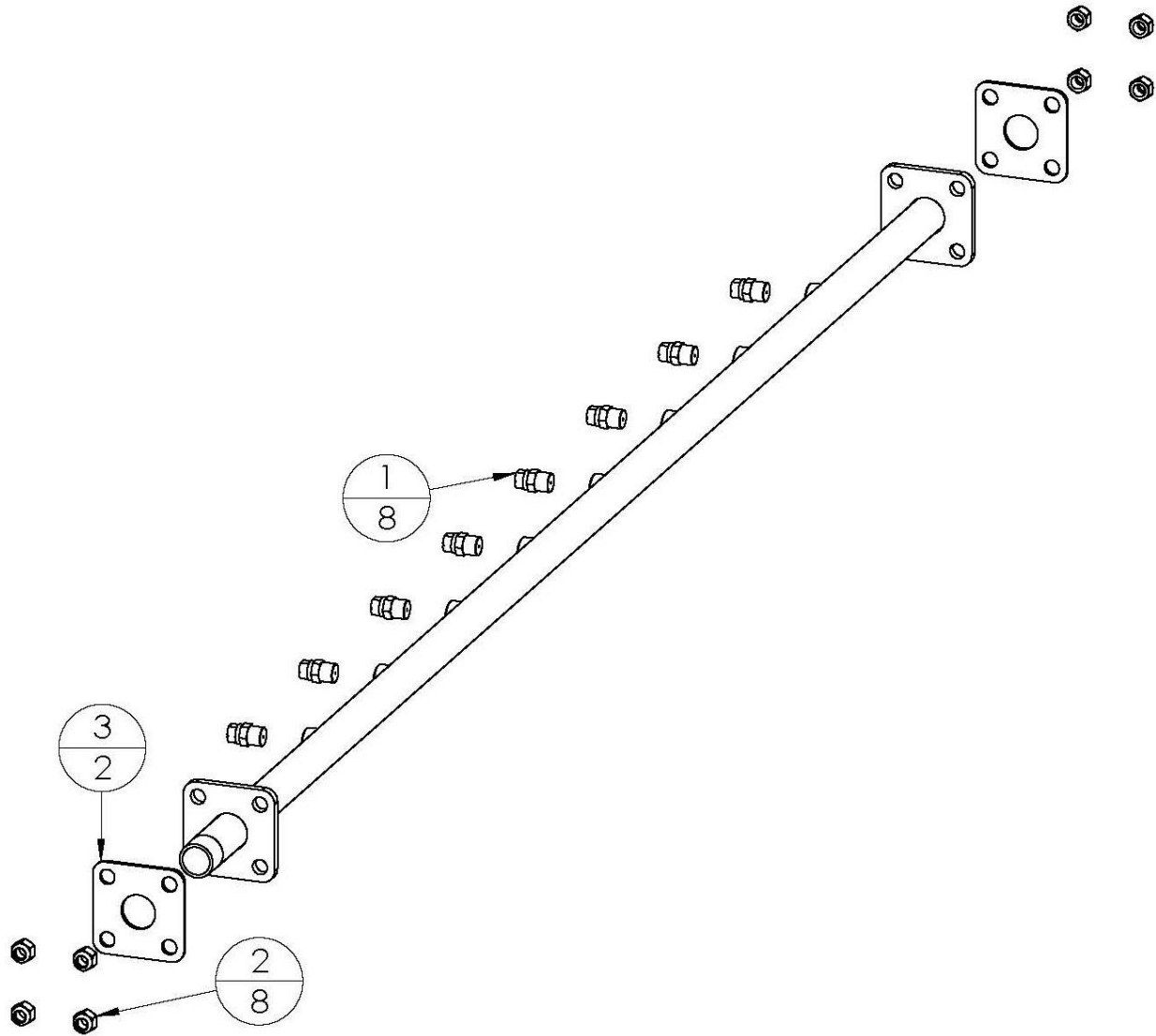
DTX 48" - Scraper Assembly



Label	Part #	Description
	R536	48" DTX Bottom Scraper ASM Complete w/ Arms & Springs
1	S660	1" Parlor Spring
2	D467	DTX UHMW Screen Scraper
3	Q541	5/16" 18 X 1-1/2" Carriage Bolt
	S581	5/16" SS Nut
	J470	5/16" SS Lock Washer
	Q797	5/16" SS Flat Washer
4	K895	3/8" X 2" SS Bolt
	G736	3/8" - 7/8" SS Lock Washer
	E143	3/8" - 7/8" SS Flat Washer
	M156	3/8" - 16 SS Nylok Nut

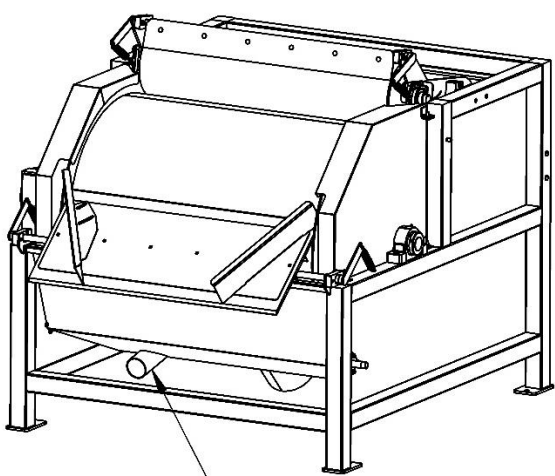
* Items not listed are considered non-common replacement parts and can be custom ordered upon request.

DTX 48" - Optional Spray Bar

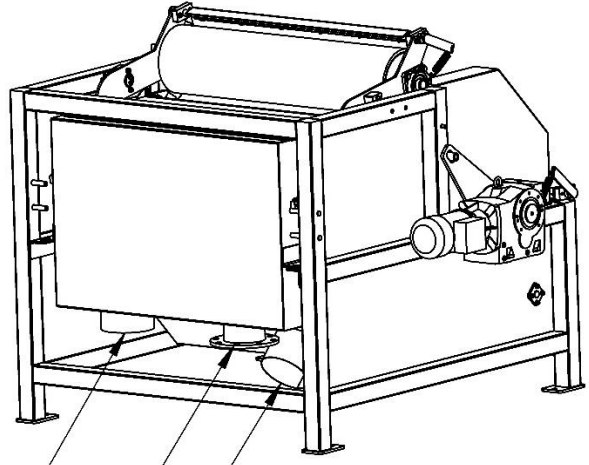


Label	Part#	Description
1	R455	Spray Nozzle 95-10
2	M156	3/8" SS Nylock Nuts
3	K129	Gasket

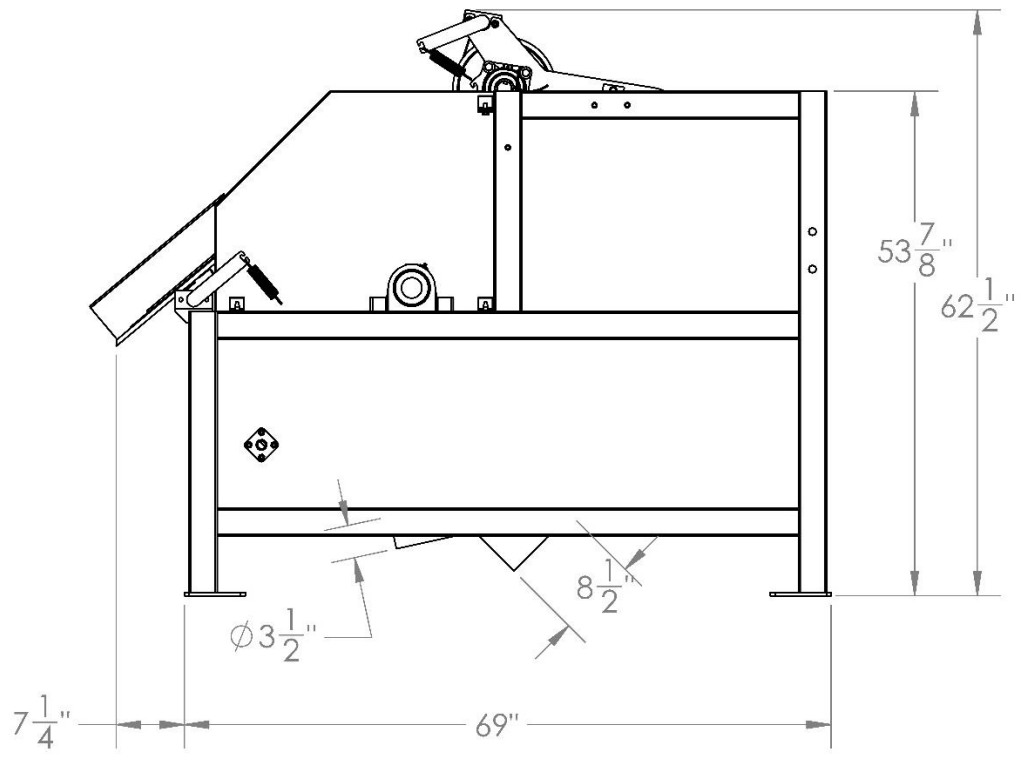
DTX 48" - Overall Dimensions



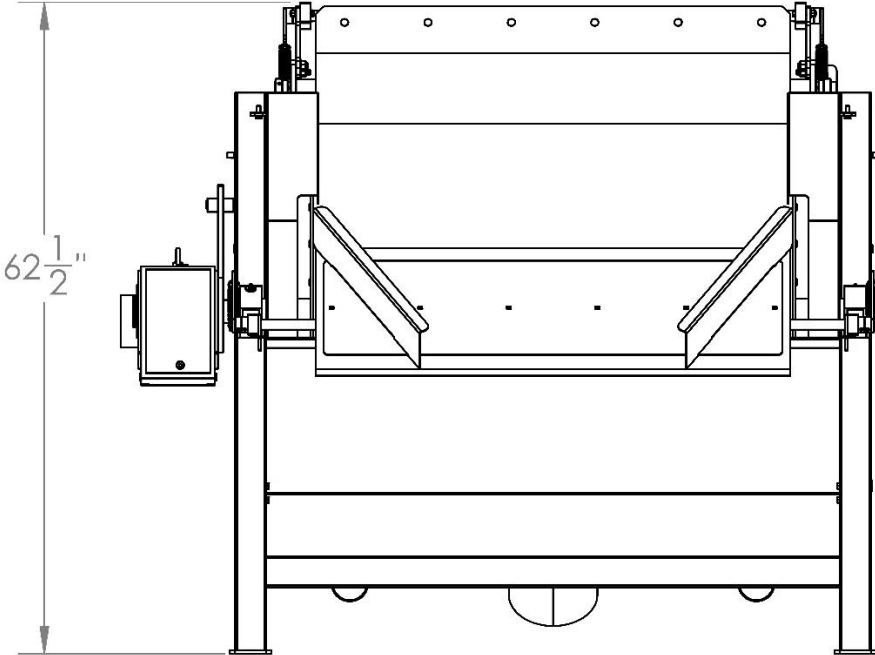
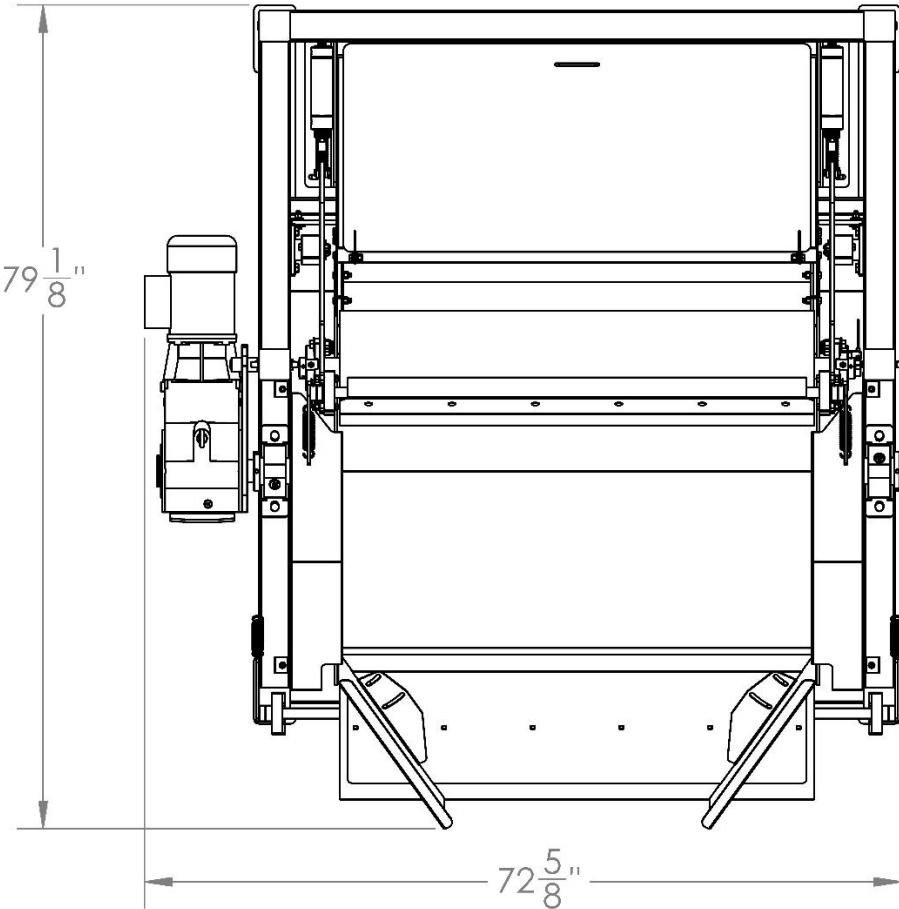
$\phi 3\text{-}1/2\text{'}$ Out (x2)



$\phi 8\text{-}1/2\text{'}$ Out
 $\phi 6\text{-}1/2\text{'}$ In
 $\phi 8\text{-}1/2\text{'}$ Overflow



DTX 48" - Overall Dimensions



For Technical Support, to order Replacement Parts, or for questions about other products,
please contact your local dealer.
