



DARITECH INC
Manure Management

The
DTX
by DARITECH

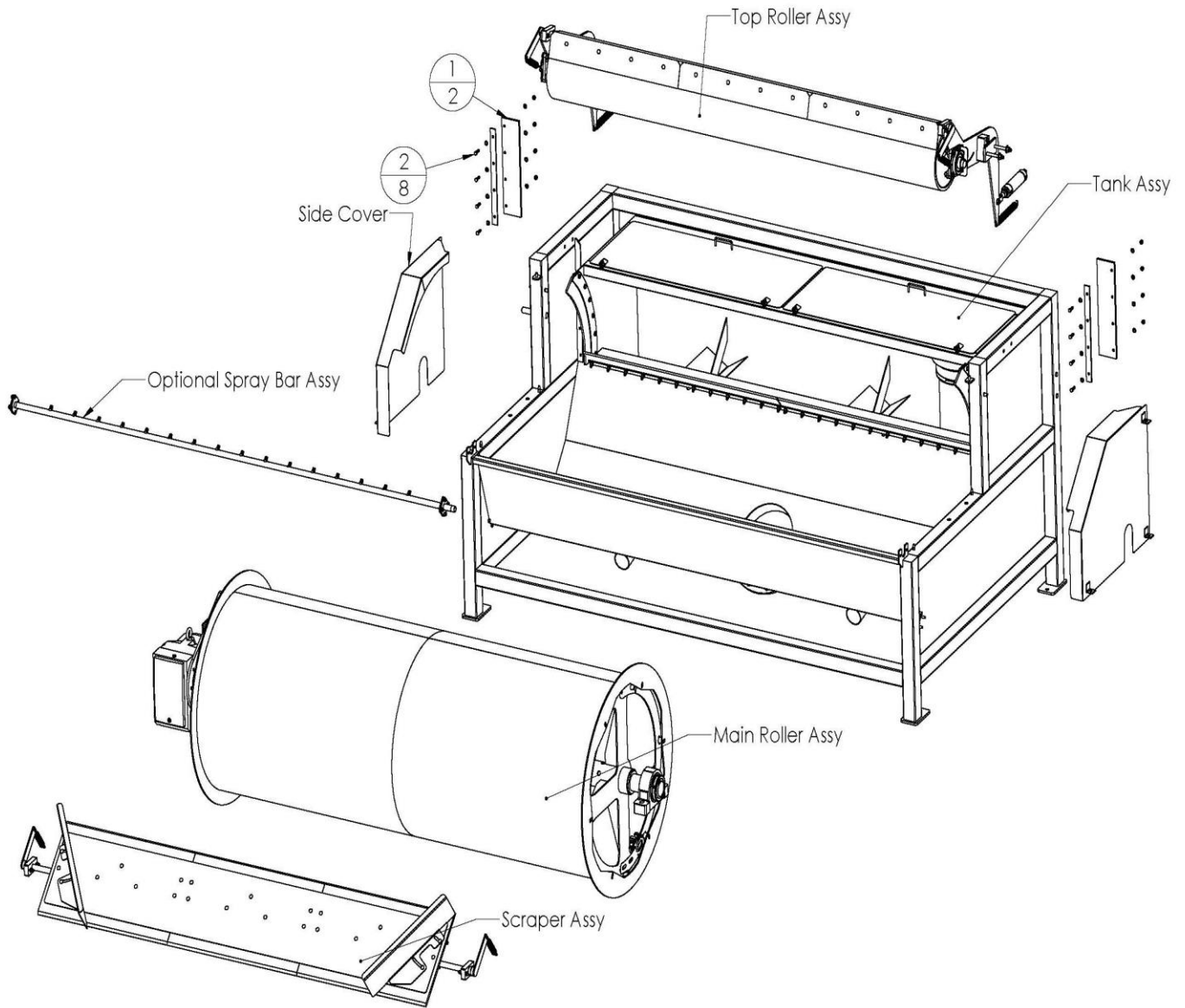
Part Manual



For Model:

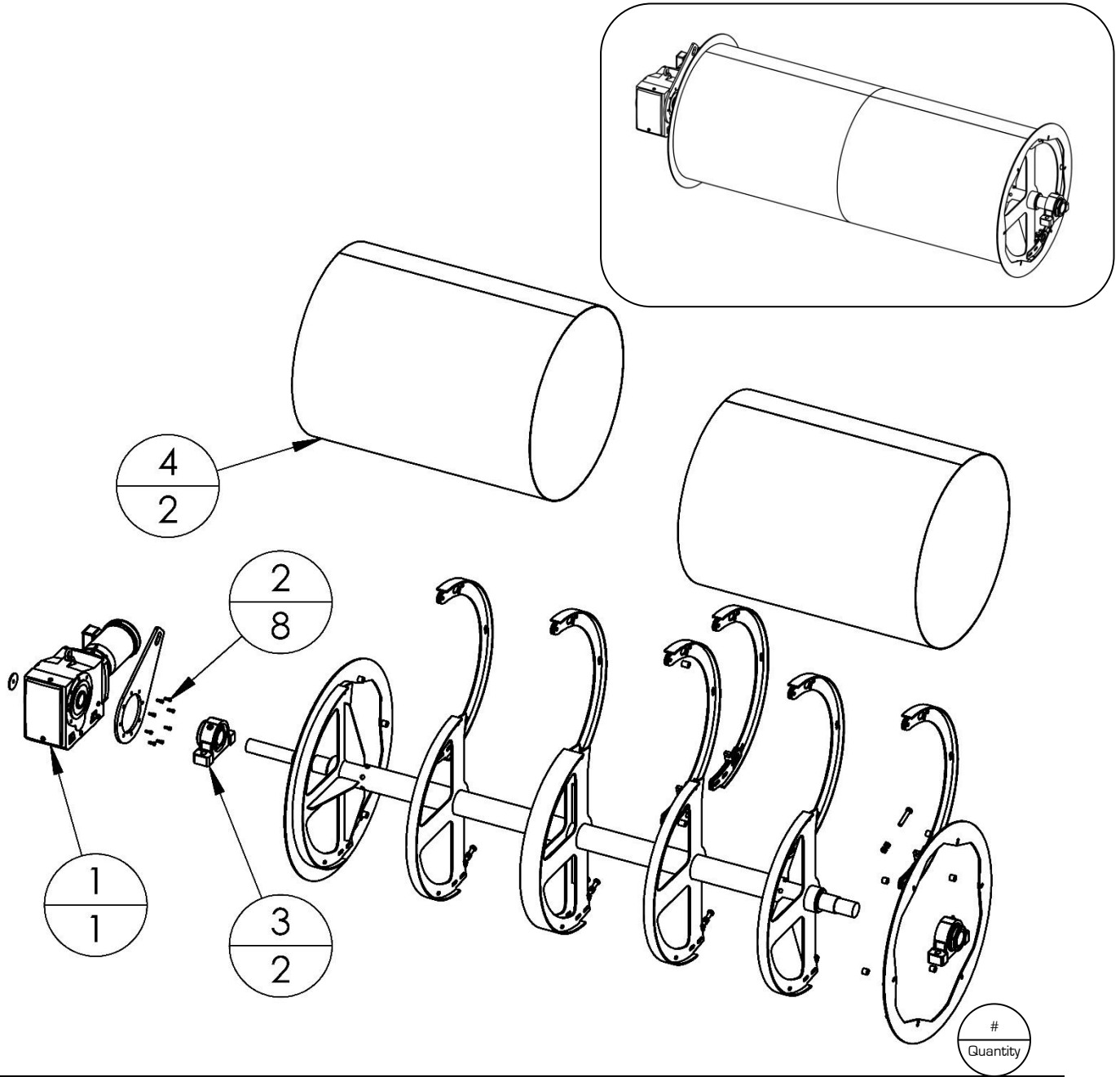
**DTeXternal Separator 96"
(DTX)**

DTX-96" - Components



Label	Part #	Description
1	A207	DTX Vertical Rubber Strip
2	L580	3/8"-16 x 1-1/4" SS Hex Head Bolt
	E143	3/8" SS Flat Washer
	M156	3/8"-16 SS Nylock Nut

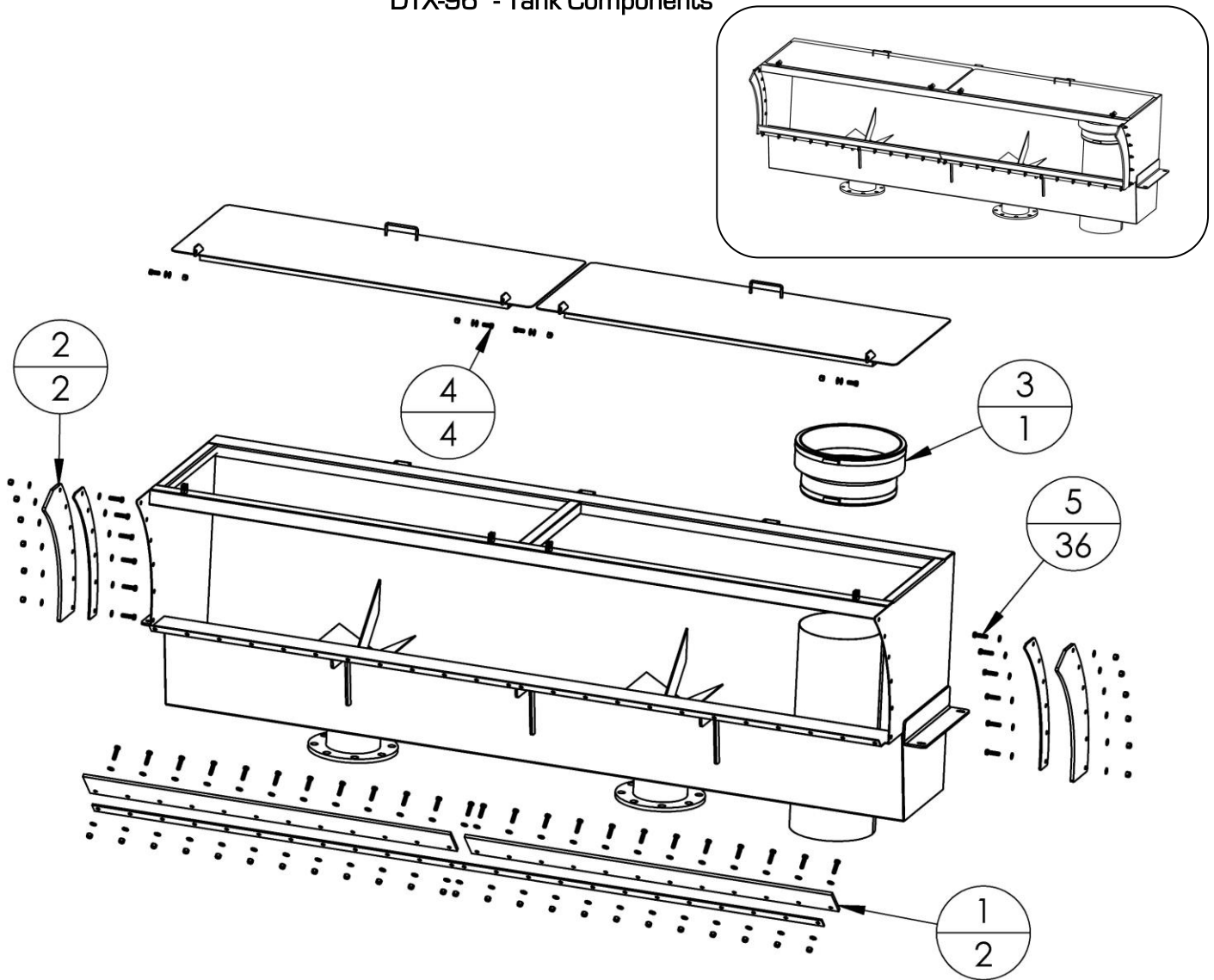
DTX-96" - Main Roller ASM



Label	Part #	Description
1	K154	Nord Gearbox with Motor
	A189	2HP Motor Only
	O199	Gearbox Only
2	T534	M8 - 1.25 X 25mm SS Bolt
3	F714	Pillow Bearing 2-11/16"
4	S696	96" DTX Perforated Complete Screen (Bolt Together/Re-Screenable)
	E129	DTX 96" Replacement 1/16" Screen Shell Only
	S651	96" DTX Wedge Wire Screen Only

*Items not listed are considered non-common replacement parts and can be custom ordered upon request.

DTX-96" - Tank Components

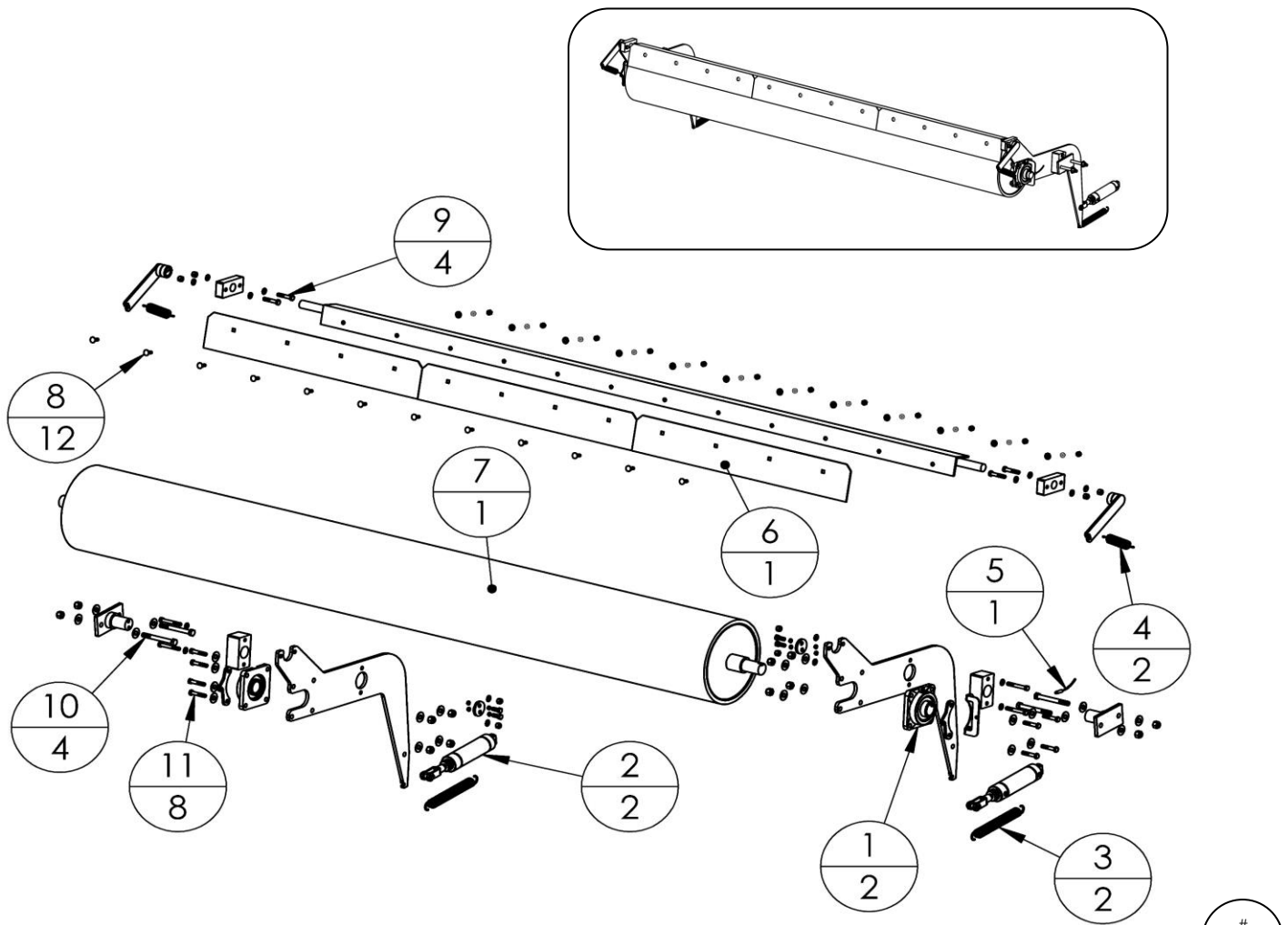


#
Quantity

Label	Part #	Description
1	P639	DTX-96 Bottom Rubber
2	L746	DTX Side Rubber
3	P775	Bypass Rubber Extension
4	O443	3/8" - 16 X 1" SS Hex Head Bolt
	<i>E143</i>	<i>3/8" - 7/8" SS Flat Washer</i>
	<i>M156</i>	<i>3/8" - 16 SS Nylok Nut</i>
5	Z175	3/8" - 16 X 1-1/2" SS Hex Head Bolt
	<i>E143</i>	<i>3/8" - 7/8" SS Flat Washer</i>
	<i>M156</i>	<i>3/8" - 16 SS Nylok Nut</i>

* Items not listed are considered non-common replacement parts and can be custom ordered upon request.

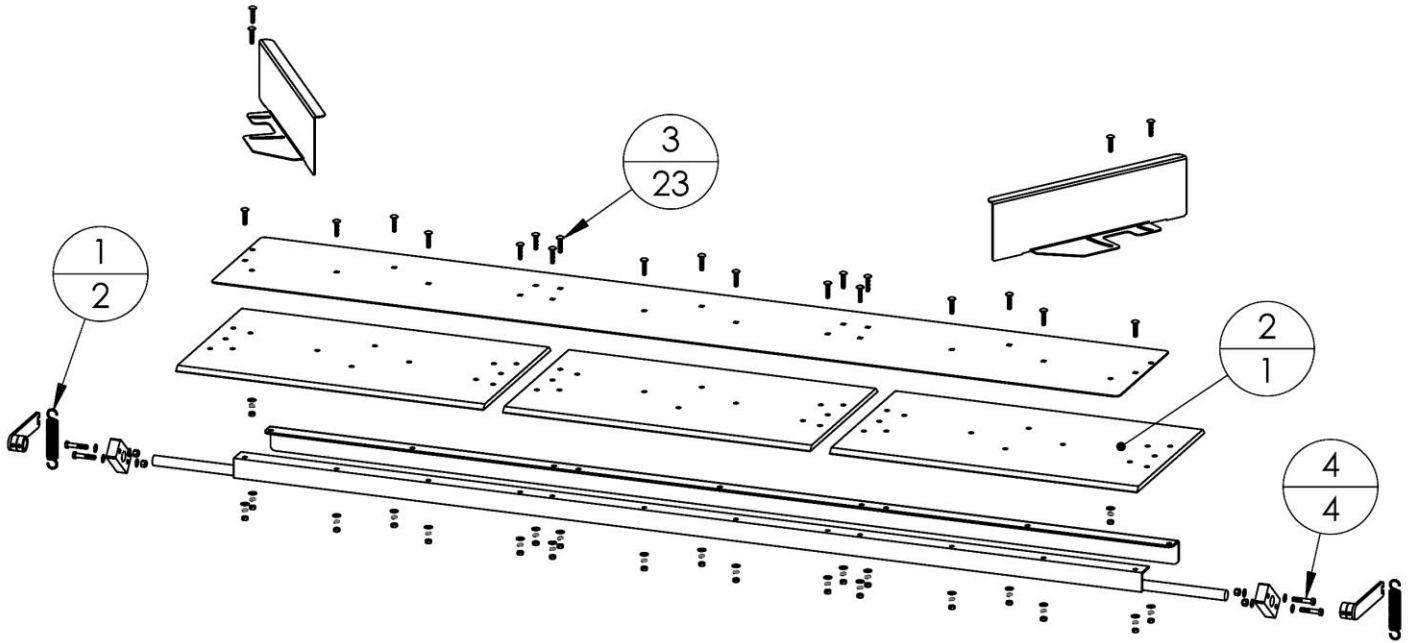
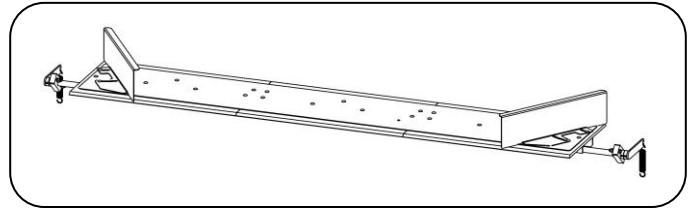
DTX-96" - Top Roller Assembly



Label	Part #	Description	# Quantity
1	X862	4-bolt flange bearing	
2	E304	2 X 4 Air Cylinder	
3	Q211	Parlor Spring	
4	Z346	Extension Spring for top Roller Arm	
5	M548	Proximity Sensor	
6	S382	DTX-96 Top Roller Scraper	
7	M792	DTX-96 Top Roller	
8	U130	5/16" X 1" Carriage Bolt	
	S581	5/16" - 18 SS Nut	
	J470	5/16" SS Lock Washer	
	Q797	5/16" - 3/4" SS Flat Washer	
9	K895	3/8" - 16 X 2" SS Bolt	
10	G780	3/8" - 16 X 2-3/4" SS Bolt	
11	D131	1/2" X 2" SS Bolt	
	N700	96" DTX Top Scraper ASM Complete w/ Arms & Springs	

* Items not listed are considered non-common replacement parts and can be custom ordered upon request.

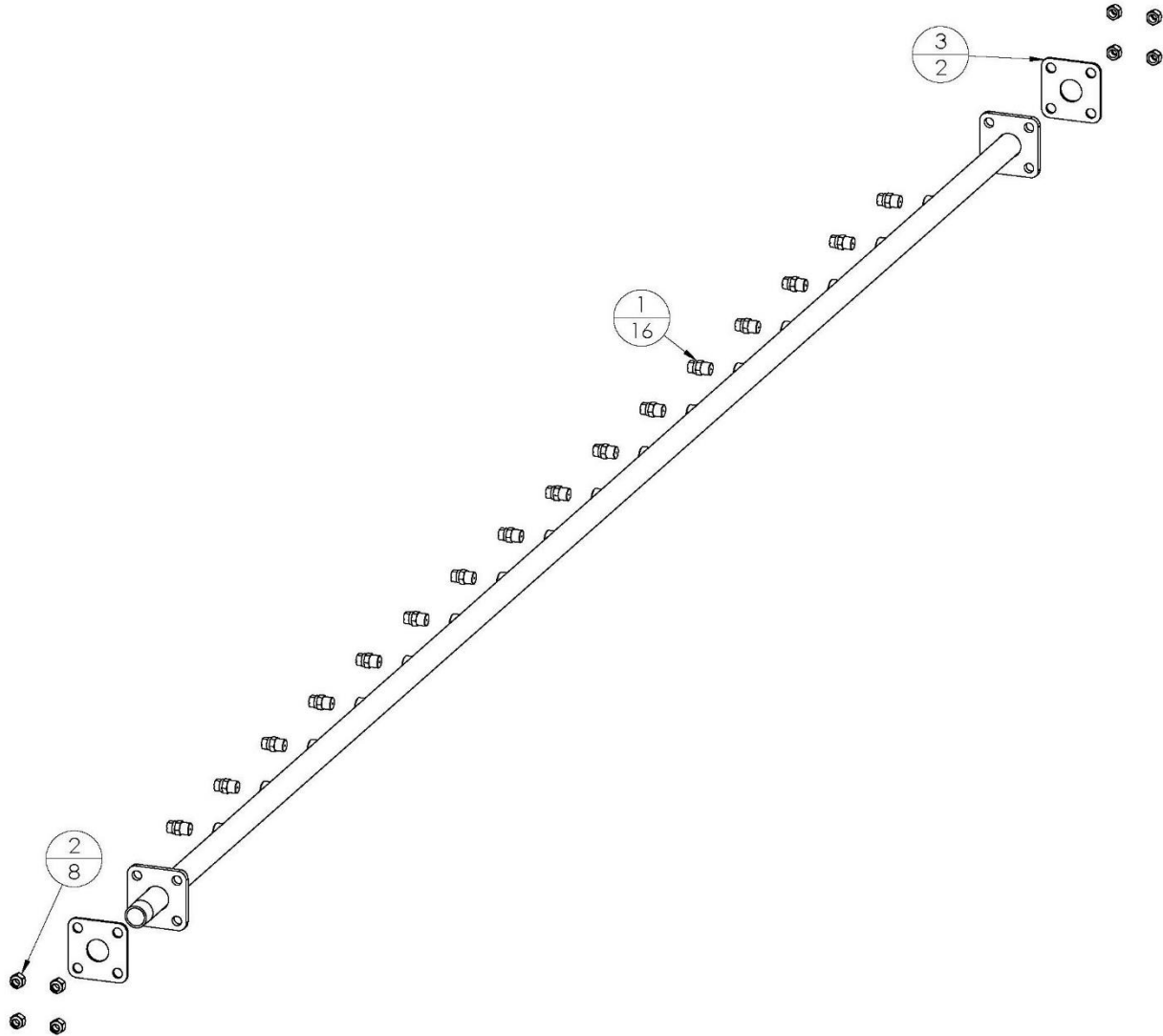
DTX-96" - Scraper Assembly



Label	Part #	Description	# Quantity
	Y193	96" DTX Bottom Scraper ASM Complete w/ Arms & Springs	
1	Q211	1" Parlor Spring	
2	V628	DTX-96 UHMW Screen Scraper Set	
3	Q541	5/16" 18 X 1-1/2" Carriage Bolt	
	S581	5/16" SS Nut	
	T829	5/16" SS Lock Washer	
	Q797	5/16" SS Flat Washer	
4	T720	3/8" X 2-1/4" SS Bolt	
	G736	3/8" - 7/8" SS Lock Washer	
	E143	3/8" - 7/8" SS Flat Washer	
	M156	3/8" - 16 SS Nylok Nut	

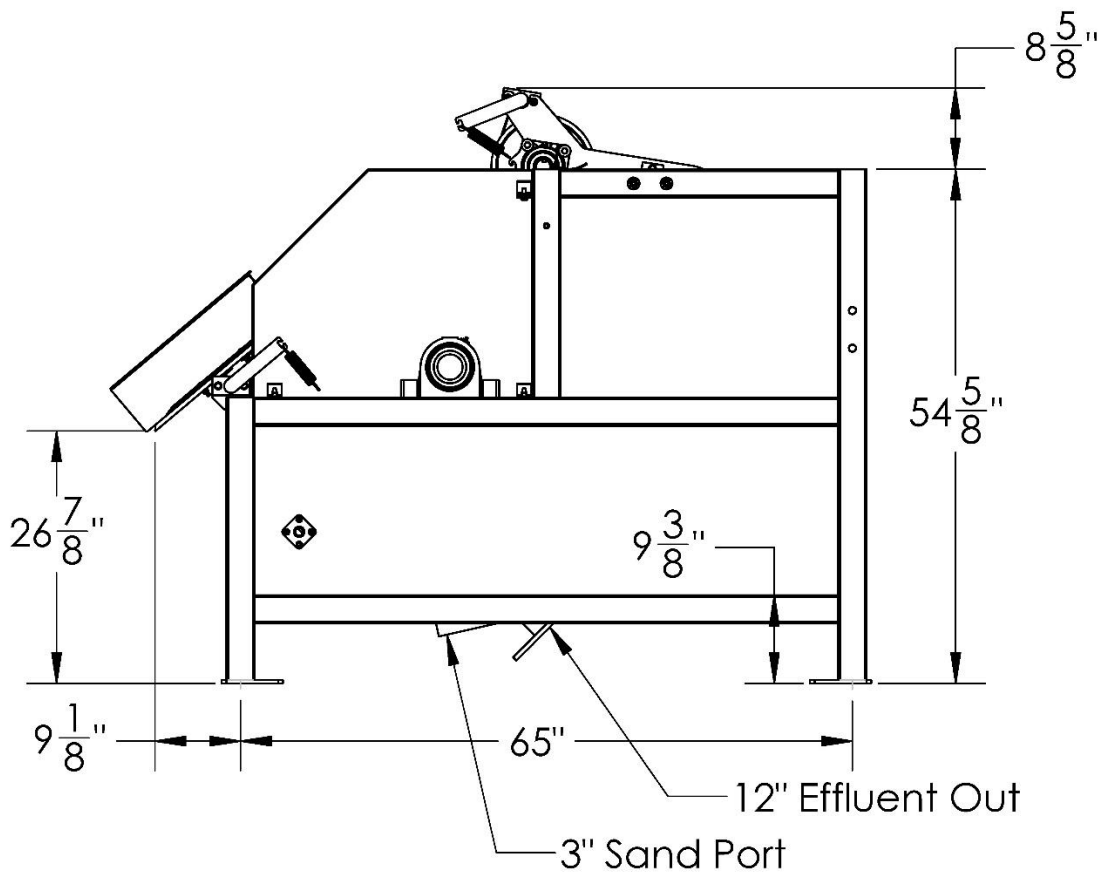
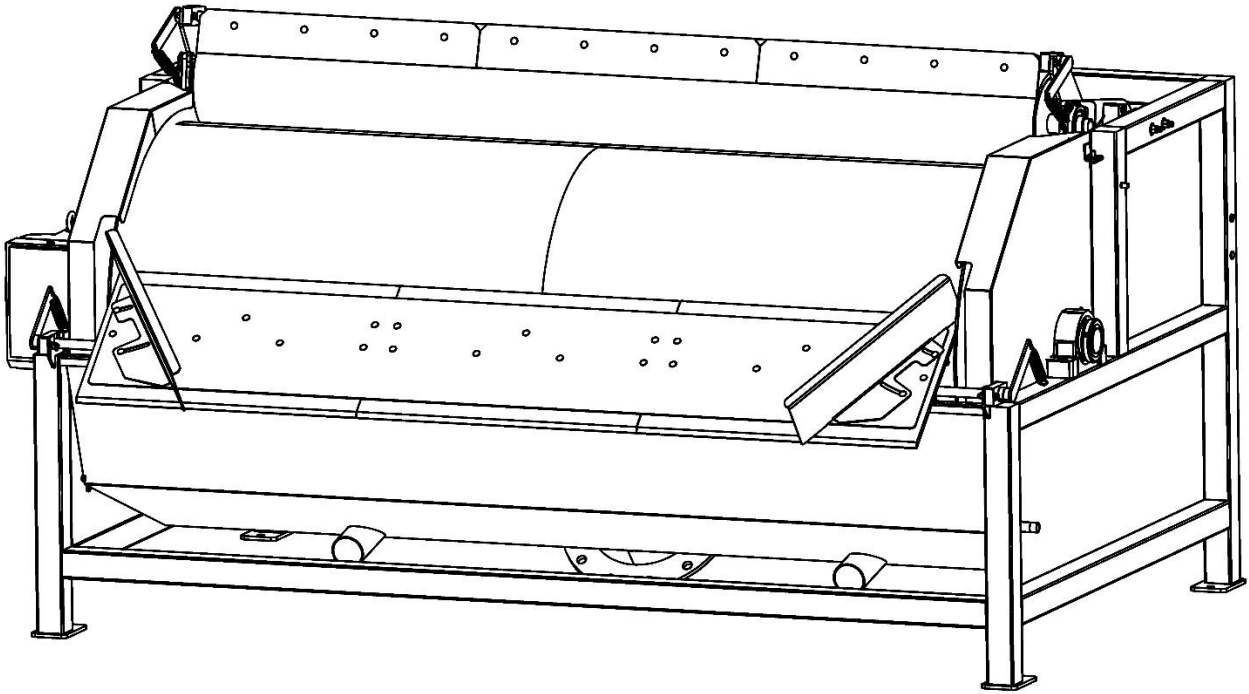
* Items not listed are considered non-common replacement parts and can be custom ordered upon request.

DTX 96" - Optional Spray Bar

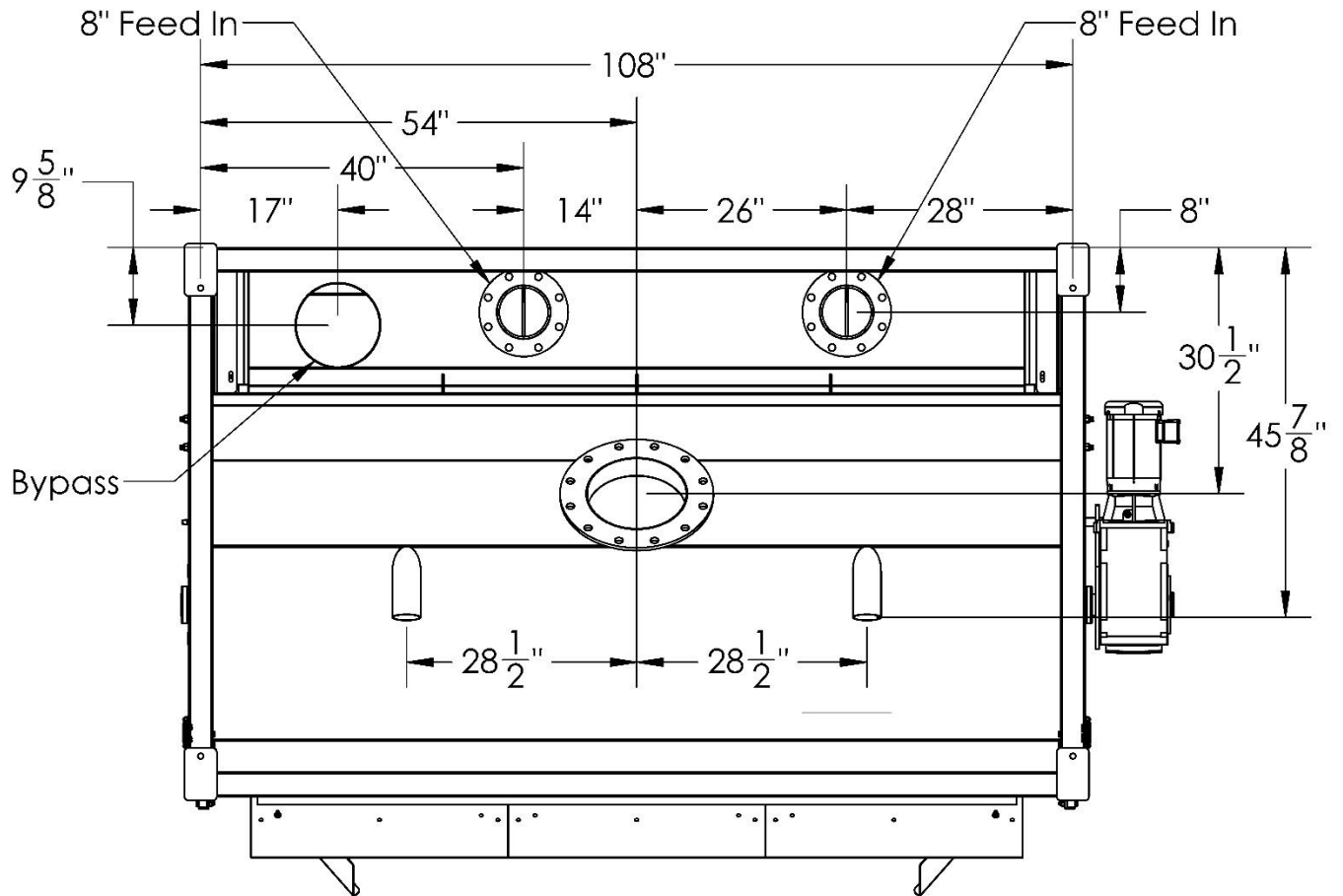
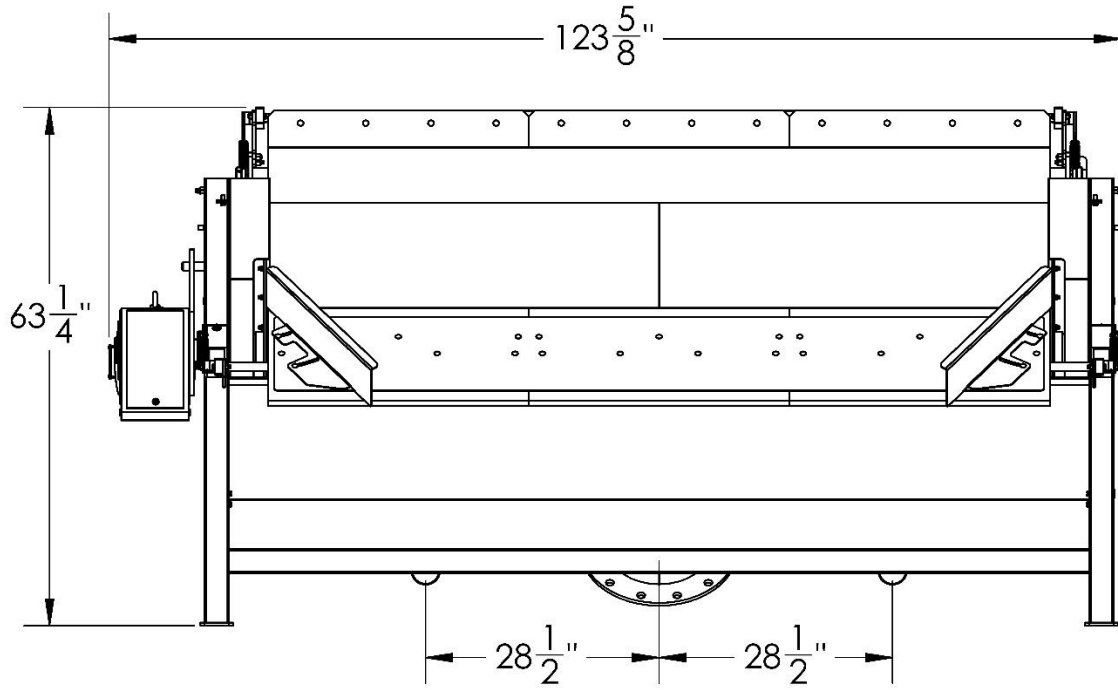


Label	Part#	Description
1	R455	Spray Nozzle 95-10
2	M156	3/8" SS Nylock Nuts
3	K129	Gasket

DTX-96" - Overall Dimensions



DTX-96" - Overall Dimensions



For Technical Support, to order Replacement Parts, or for questions about other products,
please contact your local dealer.
