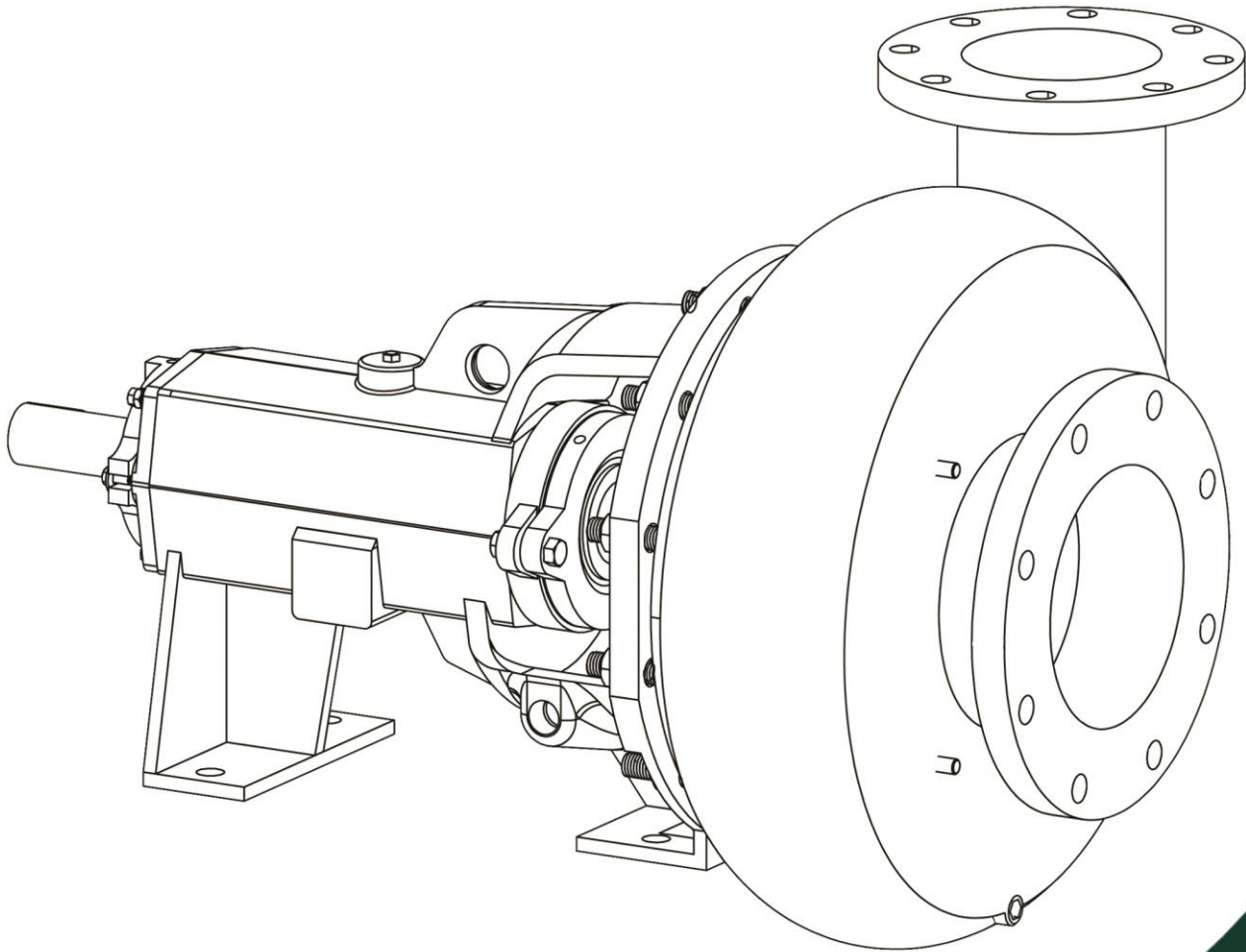




# GreenLine

**PREMIUM SLURRY PUMPS**

**Part Manual**



For Model:

**GreenLine 250 Pump**



## GL250 Pump

### FRICITION OF WATER IN PIPES C=100

GPM	V	F	V	F	V	F	V	F	V	F	V	F	GPM
	2" PIPE		3" PIPE		4" PIPE		5" PIPE		6" PIPE		8" PIPE		
30	3.06	3.69	1.36	0.53	0.77	0.13							30
40	4.08	6.40	1.81	0.91	1.02	0.22							40
50	5.11	9.90	2.27	1.38	1.28	0.34	0.82	0.11					50
60	6.13	13.40	2.72	1.92	1.53	0.48	0.98	0.16					60
70	7.15	17.04	3.18	2.56	1.79	0.63	1.14	0.21	0.79	0.09			70
80	8.17	22.50	3.63	3.28	2.04	0.81	1.31	0.27	0.91	0.11			80
90	9.19	28.00	4.08	4.08	2.30	1.01	1.47	0.34	1.02	0.14			90
100	10.21	35.80	4.54	4.96	2.55	1.22	1.63	0.41	1.14	0.17			100
125	12.76	50.90	5.68	7.50	3.19	1.85	2.04	0.62	1.42	0.26			125
150	15.32	76.00	6.81	10.50	3.83	2.59	2.47	0.87	1.70	0.36	0.96	0.09	150
175	17.86	92.50	7.95	14.00	4.47	3.44	2.86	1.16	1.99	0.48	1.12	0.12	175
200	20.40	129.00	9.08	17.90	5.10	4.41	3.27	1.49	2.27	0.61	1.28	0.15	200
225			10.20	22.30	5.74	5.48	3.68	1.85	2.55	0.76	1.44	0.19	225
250			11.30	27.10	6.38	6.67	4.08	2.25	2.84	0.93	1.60	0.23	250
275			12.50	32.30	7.02	7.96	4.50	2.68	3.12	1.11	1.76	0.27	275
300			13.60	37.90	7.65	9.34	4.90	3.13	3.41	1.30	1.91	0.32	300
350			15.90	50.40	8.93	12.40	5.72	4.20	3.97	1.73	2.23	0.43	350
400			18.20	64.60	10.20	15.90	6.54	5.38	4.54	2.21	2.55	0.55	400
450					11.50	19.80	7.36	6.68	5.10	2.75	2.87	0.68	450
500					12.80	24.10	8.18	8.12	5.68	3.34	3.19	0.82	500
550					14.00	28.70	8.99	9.69	6.24	3.99	3.51	0.98	550
600					15.30	33.70	9.81	11.40	6.81	4.68	3.82	1.15	600
650					16.60	39.10	10.60	13.20	7.38	5.43	4.15	1.34	650
700					17.90	44.90	11.40	15.10	7.94	6.23	4.47	1.53	700
750					18.90	51.30	12.30	17.20	8.51	7.08	4.78	1.74	750
800							13.10	19.40	9.08	7.98	5.10	1.97	800
900							14.70	24.10	10.20	9.92	5.74	2.44	900
1000							16.30	29.30	11.40	12.10	6.38	2.97	1000
1100							18.00	35.00	12.50	14.40	7.02	3.55	1100
1200							19.56	41.20	13.60	16.90	7.66	4.17	1200
1300							21.19	48.00	14.80	19.60	8.30	4.83	1300
1400							22.82	54.80	15.90	22.50	8.93	5.54	1400
1500							24.45	62.40	17.00	25.50	9.55	6.30	1500
1600									18.20	28.80	10.20	7.10	1600
1800									20.52	35.90	11.50	9.83	1800
2000									22.80	43.60	12.80	10.70	2000

V = Velocity feet per second

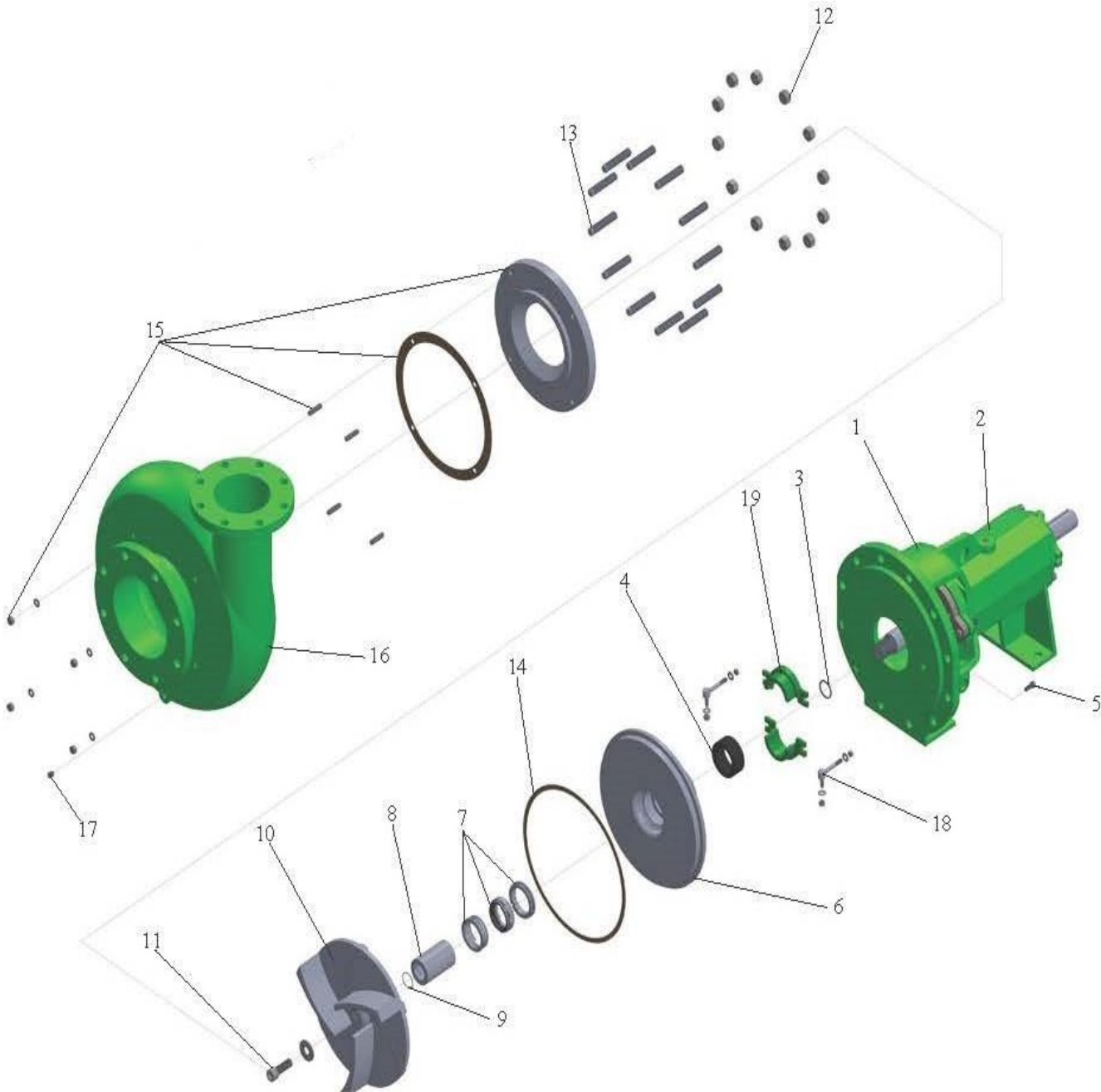
F = Friction head in feet

Loss of head in feet, due to friction, per 100 feet of ordinary pipe and velocity in feet per second.

Values taken from Williams & Hazen tables, based on coefficient C= 100. For new pipes multiply friction loss value by 0.70.

## GL250 Pump - Pump ASM

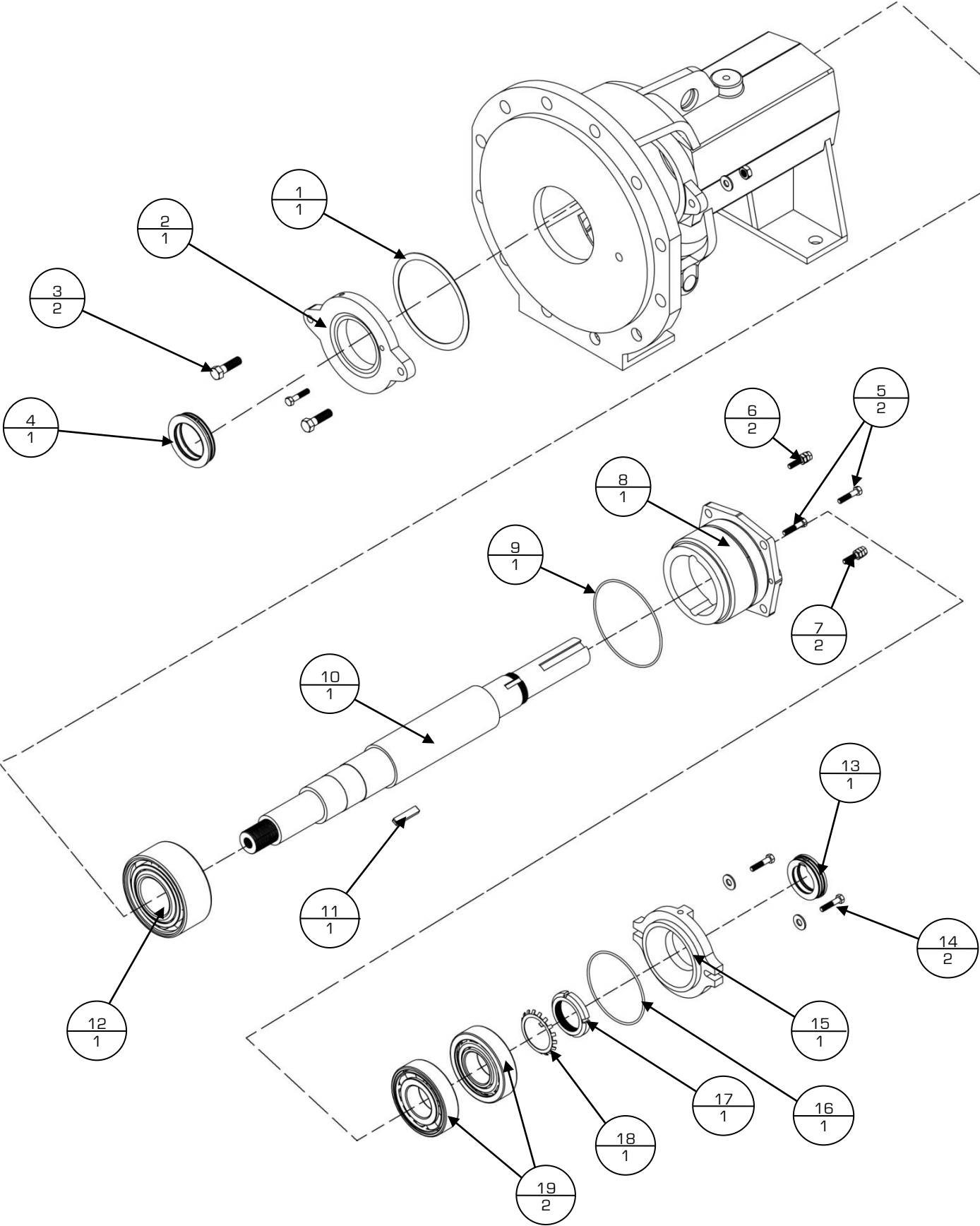
Complete Pump Size	Part #	Max Impeller
3x2x13	M154	13"
4x3x13	L369	13"
5x4x14	J778	14"
6x5x11	T868	11"
6x5x14	E435	14"
8x6x11	T130	11"
8x6x14	M784	14"
10x8x14	V315	14"



## GL250 Pump – Housing ASM

Label	Part #	Description			
				O135	3"X2"X13" Housing ASM
1	S517	GL250 Pedestal		A330	4"X3"X13" Housing ASM
2	J729	Breather Vent	16	X478	5"X4"X14" Housing ASM
3	M613	Shaft Sleeve O-Ring		O317	6" X 5" X 11" Housing ASM
4	U623	Graphite Packing		Y967	6" X 5" X 14" Housing ASM
5	D817	1/2"-13 x 1-1/2" Zinc Hex Bolt		16	Y763
6	O648	Stuffing Box	16	J301	8" X 6" X 14" Housing ASM
7	K704	Mechanical Seal	16	S291	10" X 8" X 14" Housing ASM
8	E492	SS Shaft Sleeve	17	O383	Housing Drain Plug (3/4" galv plug)
9	O904	Impeller O-Ring	18	O582	Greenline 250 Gland Set
10	E172	3" X 2" X 13" – 3 Blade Impeller	19	Z316	Greenline 250 Gland Bolt ASM
	K581	4" X 2" X 13" – 3 Blade Impeller			
	E130	5" X 4" X 14" – 3 Blade Impeller			
	V731	6" X 5" X 11" – 3 Blade Impeller			
	P833	6" X 5" X 14" – 3 Blade Impeller			
	T781	8" X 6" X 11" – 3 Blade Impeller			
	B985	8" X 6" X 14" – 3 Blade Impeller			
	Z593	10" X 8" X 14" – 5 Blade Impeller			
	E240	3" X 2" X 13" – 6 Blade Impeller			
	C839	4" X 3" X 13" – 6 Blade Impeller			
	U336	5" X 4" X 14" – 6 Blade Impeller			
	E327	6" X 5" X 11" – 6 Blade Impeller			
	B359	6" X 5" X 14" – 6 Blade Impeller			
	N318	8" X 6" X 11" – 6 Blade Impeller			
L735	8" X 6" X 14" – 6 Blade Impeller				
11	V278	3/4" X 2-1/4" LH Thread Impeller Bolt			
12	P563	Housing Nut (3/4" Zinc)			
13	T510	Housing Studs			
14	E715	Housing Fluid End Gasket			
15	G681	3" X 2" X 13" Wear Pad Kit			
	Y318	4" X 3" X 13" Wear Pad Kit			
	L721	5" X 4" X 14" Wear Pad Kit (Heat Treated)			
	Z212	6" X 5" X 11" Wear Pad Kit			
	C596	6" X 5" X 14" Wear Pad Kit (Heat Treated)			
	Y825	8" X 6" X 14" Wear Pad Kit (Heat Treated)			
	X862	10" X 8" X 14" Wear Pad Kit (Heat Treated)			

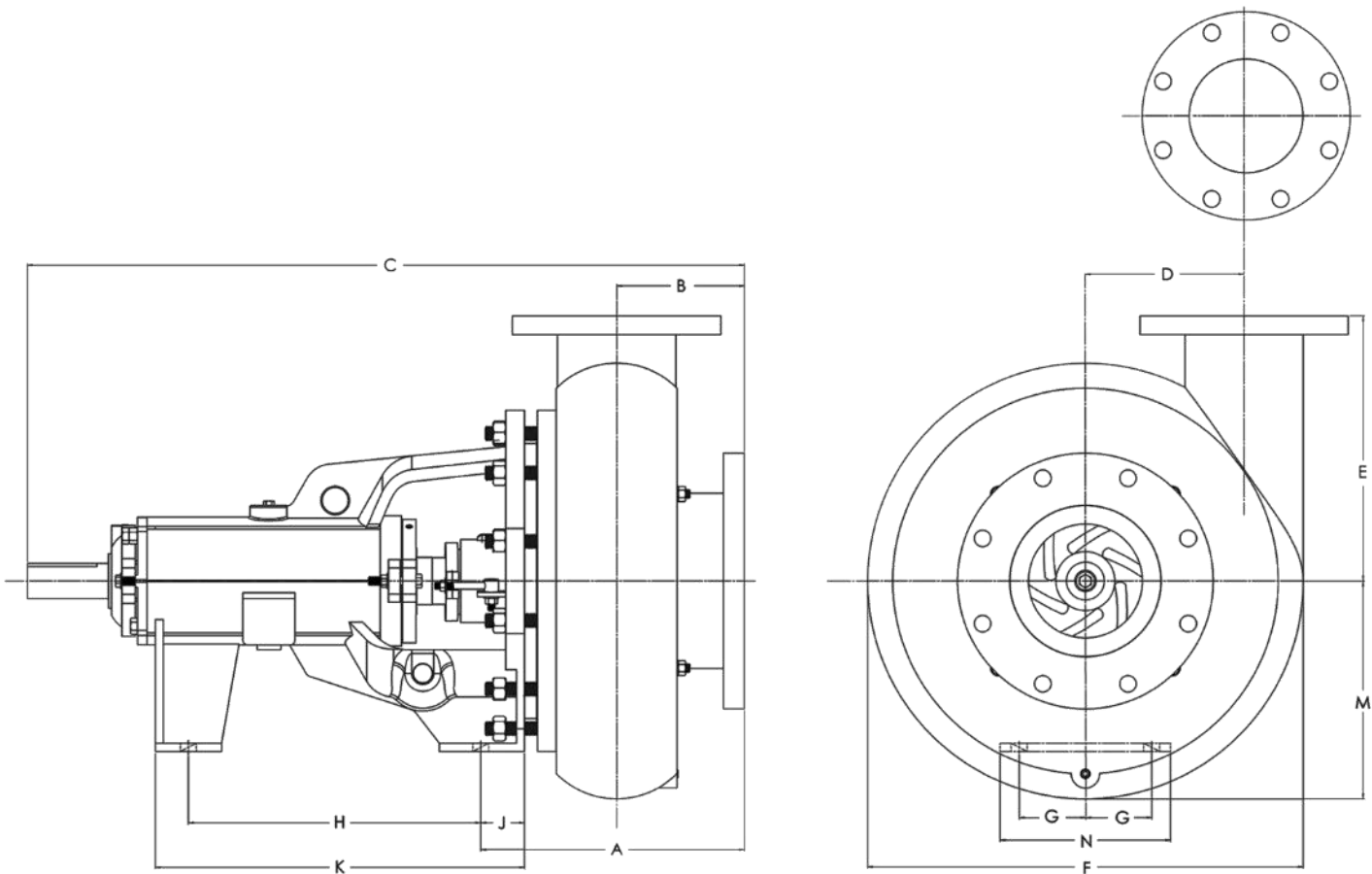
GL250 Pump - Pedestal ASM



## GL250 Pump – Pedestal ASM

Label	Part #	Description
1	K729	Inboard Bearing Cover Gasket
2	C866	Inboard Bearing Cover
3	M226	3/8" X 2-1/2" Inboard Cover Bolt
4	C218	Inboard Brass Labyrinth Seal
5	K515	Outboard Bearing Housing Bolt (1/2" X 1-1/4" zinc bolt)
6	D817	Outboard Bearing Housing Adjustment Bolt (1/2" X 1-1/2" zinc bolt)
7	E411	Outboard Bearing Housing Adjustment nut (1/2" zinc nut)
8	N811	Outboard Bearing Housing
9	K899	Outboard Bearing Housing O-Ring
10	L407	SS Pump Shaft
11	F145	1/2" Square Key Stock 12"
12	O597	Inboard Bearing
13	P226	Outboard Labyrinth Seal
14	A274	Outboard Bearing Cover Bolt (3/8" X 1" zinc bolt)
15	K681	Outboard Bearing Cover
16	N314	Outboard Bearing Cover O-Ring
17	O840	Bearing Lock Nut
18	G818	Bearing Lock Washer
19	L679	Outboard Bearing

## GL250 Pump – Overall Dimensions



### PEDESTAL, HOUSING & INSTALLATION DIMENSIONS

Size Dimensions	3X2X13	4X3X13	5X4X14	6X5X11	6X5X14	8X6X11	8X6X14	10X8X14
A	8 3/4	9 3/8	10 3/4	12 1/16	12 1/16	13 1/4	13 1/4	13 11/16
B	3 3/4	4 1/4	5	5 3/4	5 3/4	6 3/4	6 3/4	6 11/16
C	33	33 5/8	35	36 3/8	36 3/8	37 1/2	37 1/2	37 15/16
D	7	6 3/4	6 1/8	6	6	8 3/8	8 3/8	8
E	10 1/4	10 1/4	11	11	11	14	14	14 3/16
F	17 7/8	17 7/8	19	17 7/8	21	20	23	22 3/8
G	3 1/2	3 1/2	3 1/2	3 1/2	3 1/2	3 1/2	3 1/2	3 1/2
H	15 7/16	15 7/16	15 7/16	15 7/16	15 7/16	15 7/16	15 7/16	15 7/16
J	2 5/16	2 5/16	2 5/16	2 5/16	2 5/16	2 5/16	2 5/16	2 5/16
K	19 5/8	19 5/8	19 5/8	19 5/8	19 5/8	19 5/8	19 5/8	19 5/8
M	9	9	9	9	9	9	9	9
N	9	9	9	9	9	9	9	9
Max Impeller Dia.	13	13	14	11	14	11	14	14
Min Impeller Dia.	6	6	7	8	10	8	10	12
Suction Size	3	4	5	6	6	8	8	10
Discharge Size	2	3	4	5	5	6	6	8
Weight - Lbs.	430	440	490	520	550	610	630	810



---

For Technical Support, to order Replacement Parts, or for questions about other products,  
please contact your local dealer.

---