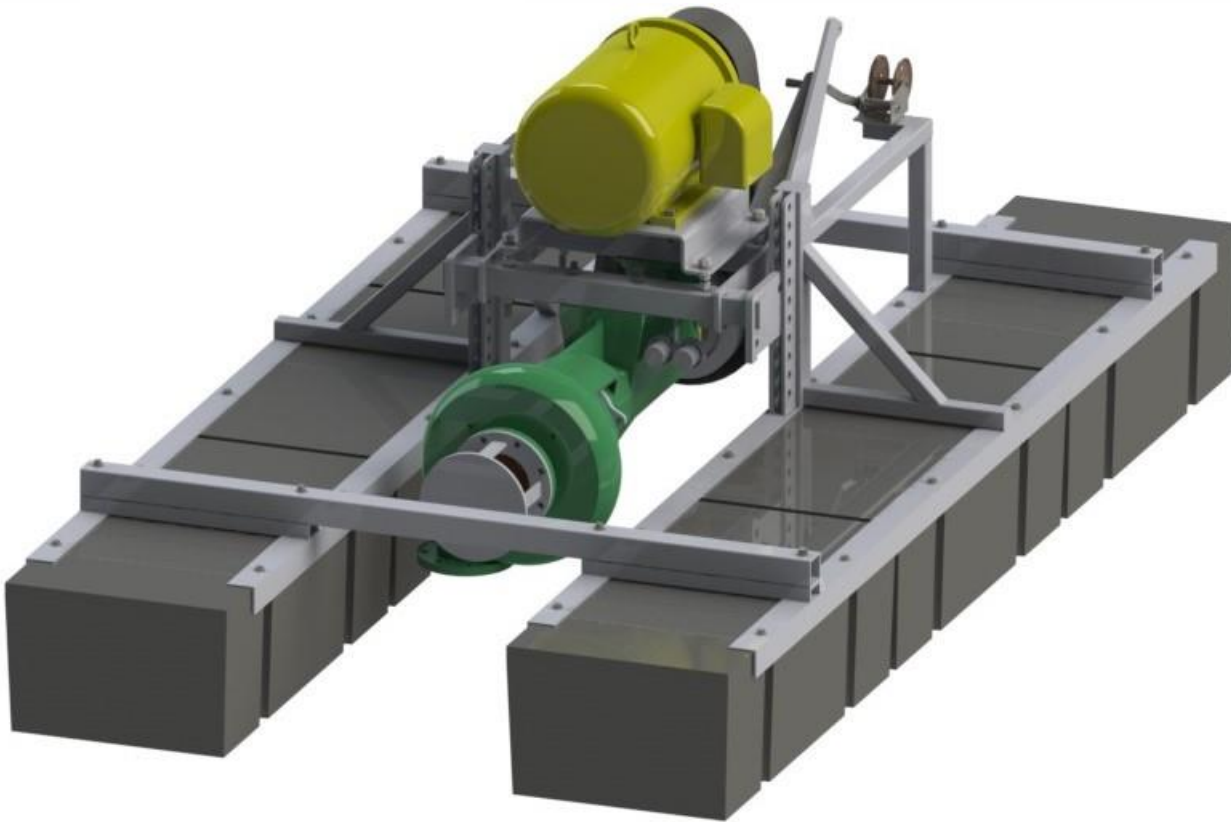




# GreenLine

## Premium Slurry Pumps

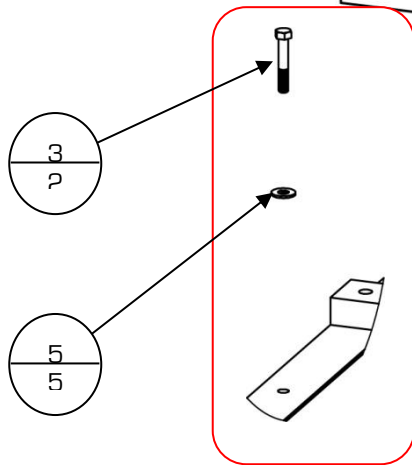
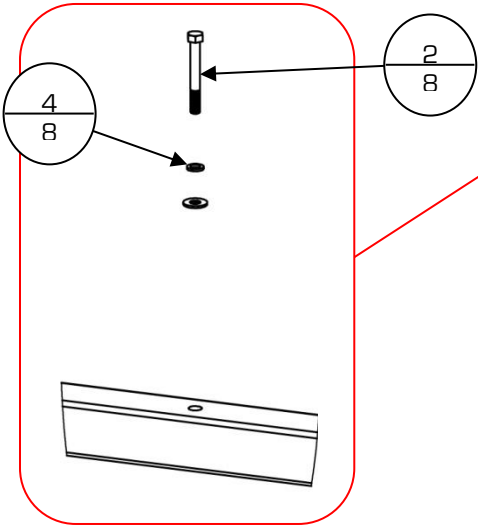
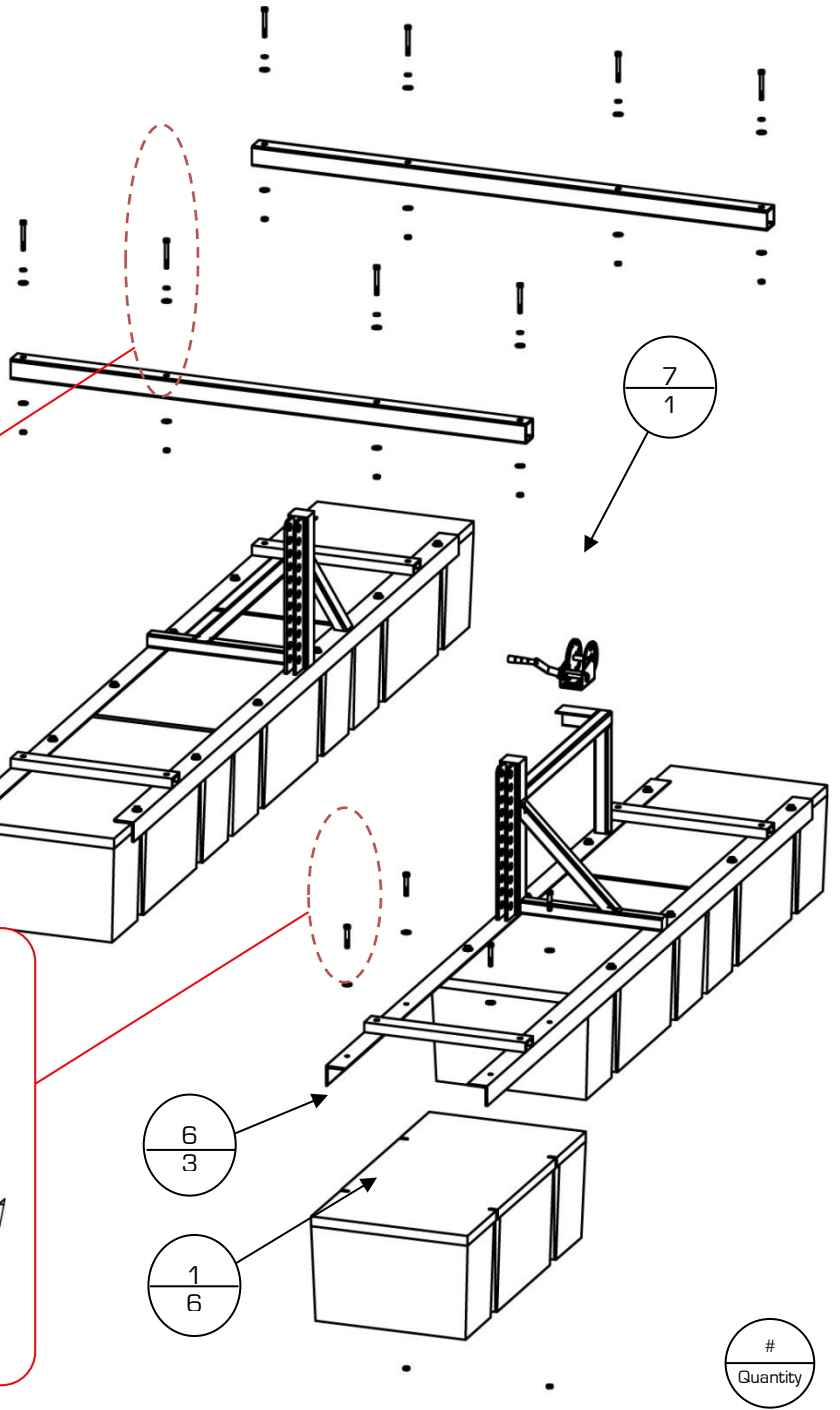
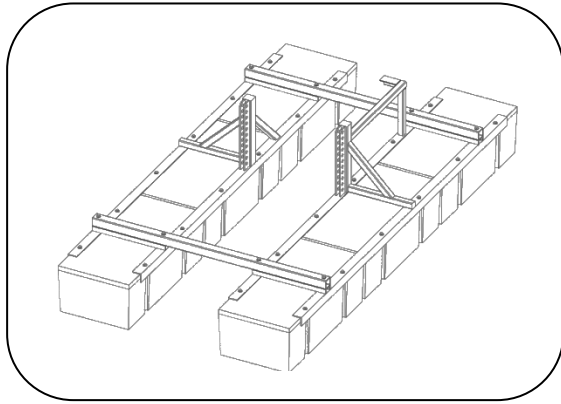
### Part Manual



GL250 Float Pump  
(Built After 10/01/17)



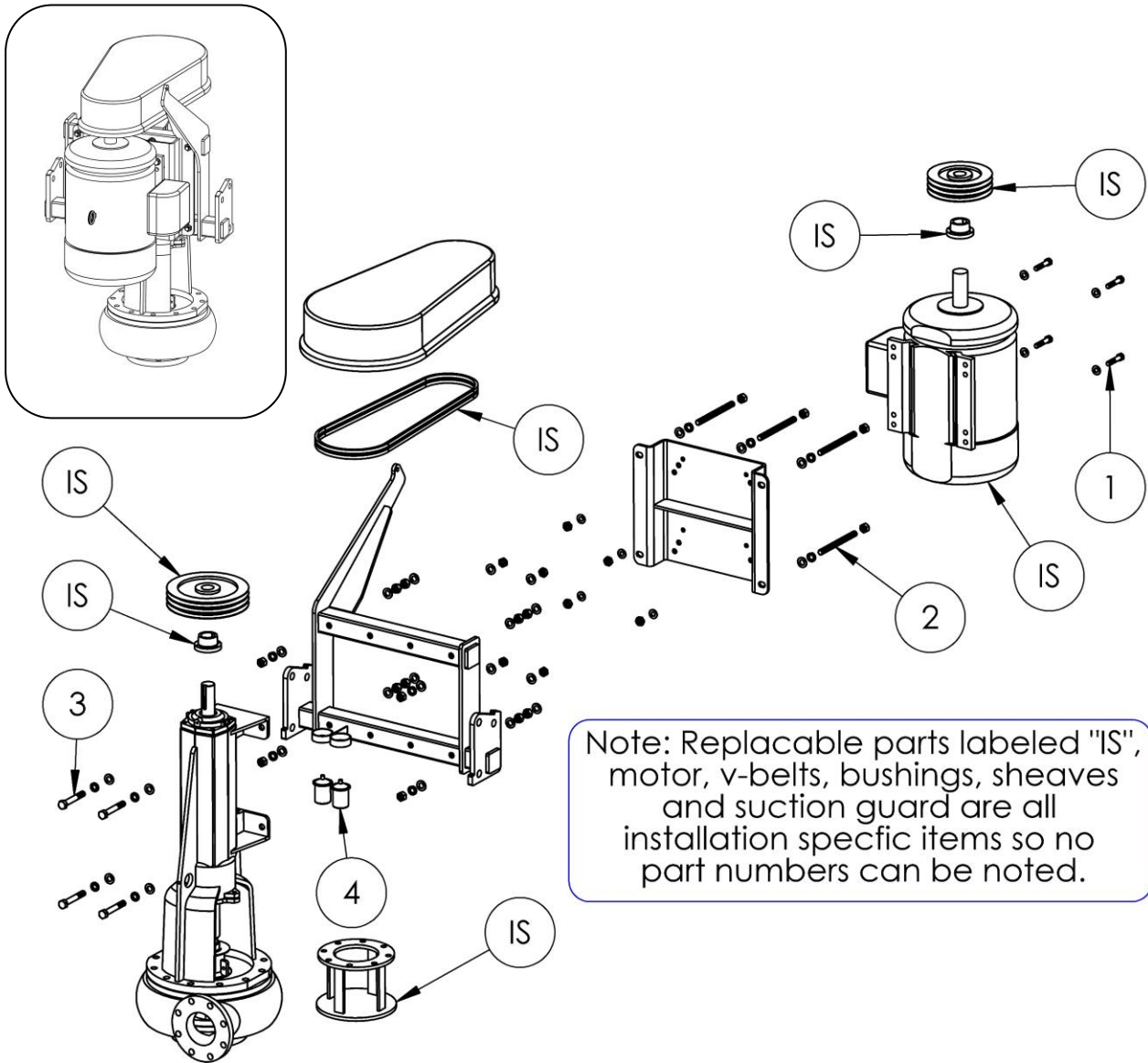
# GL250 Float Pump - Pontoon Frame



#  
Quantity

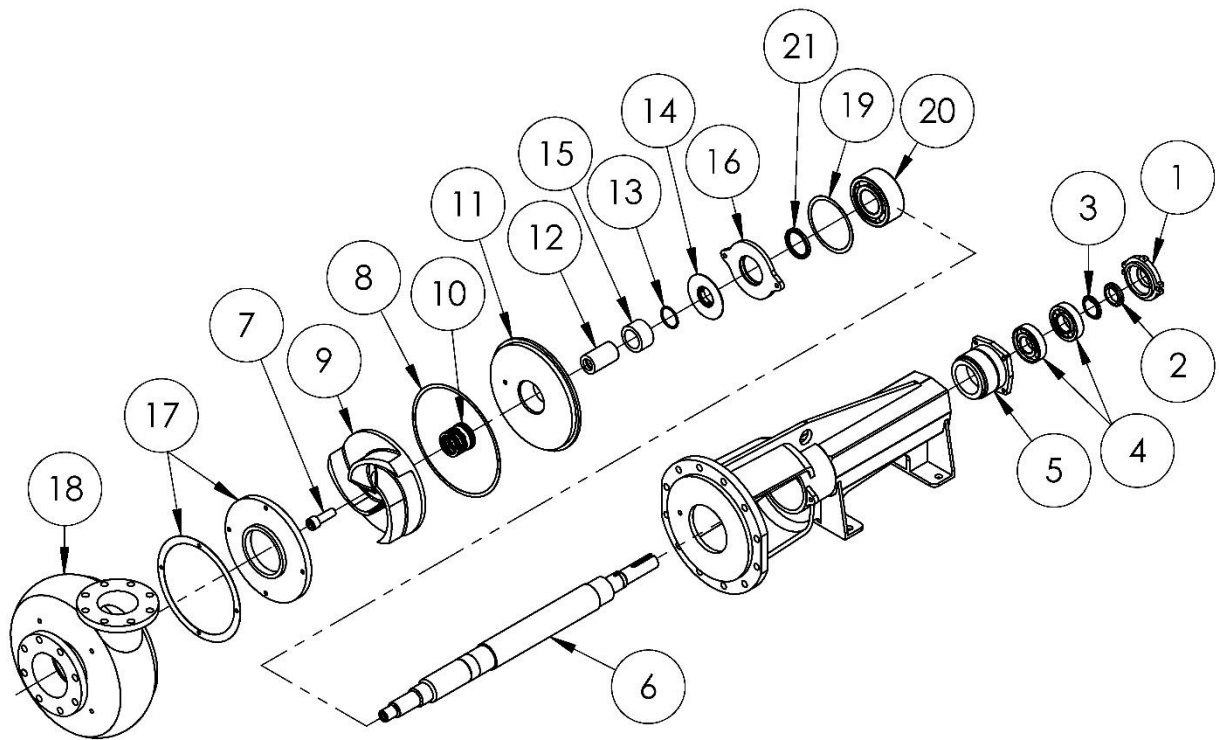
Label	Part #	Description
1	J462	Float Pontoon 24" X 48" X 20"
2	O565	1/2" - 13 X 4" S/S Bolt
3	K140	1/2" - 13 X 3" S/S Bolt
4	Z370	1/2" Lock Washer
5	U124	1/2" Flat Washer
6	E411	1/2" - 13 SS Nylock Nut
7	D704	Hand Winch

## GL250 Float Pump - Gantry



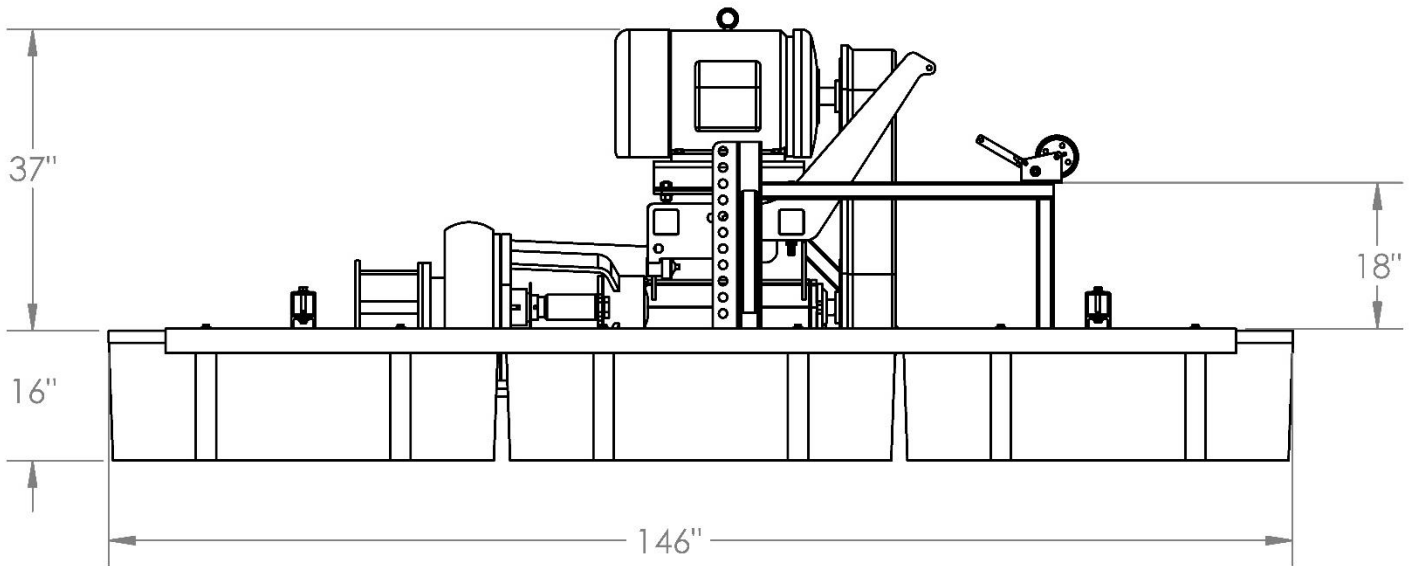
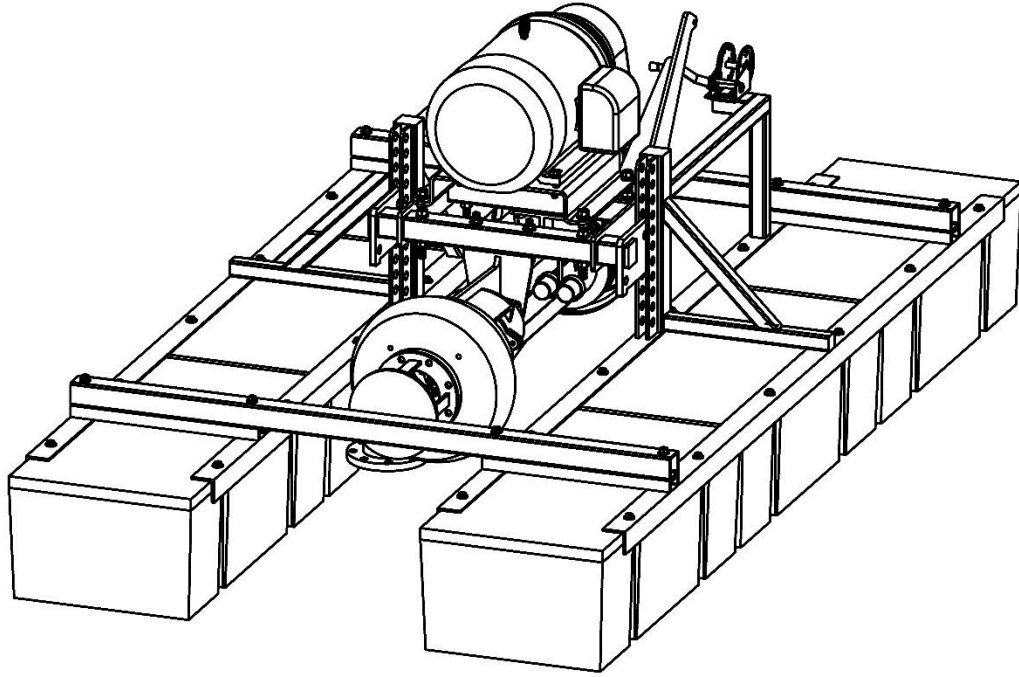
Label	Part #	Description
1	B718	5/8" - 11 X 3" Zinc Hex Head Bolt
	N328	5/8"-11 Zinc Hex Nut
	V310	5/8" Zinc Flat Washer
	J129	5/8" Zinc Lock Washer
2	Y688	3/4"-10 x 9" Zinc All thread
	P563	3/4"-10 Zinc Hex Head Nut
	N565	3/4" Zinc Flat Washer
	T339	3/4" Zinc Lock Washer
3	M470	3/4"-10 x 5" Zinc Hex Head Bolt
4	E698	Time Release Grease Pack

## GL250 Float Pump – GL250 Pontoon Stretch Pump

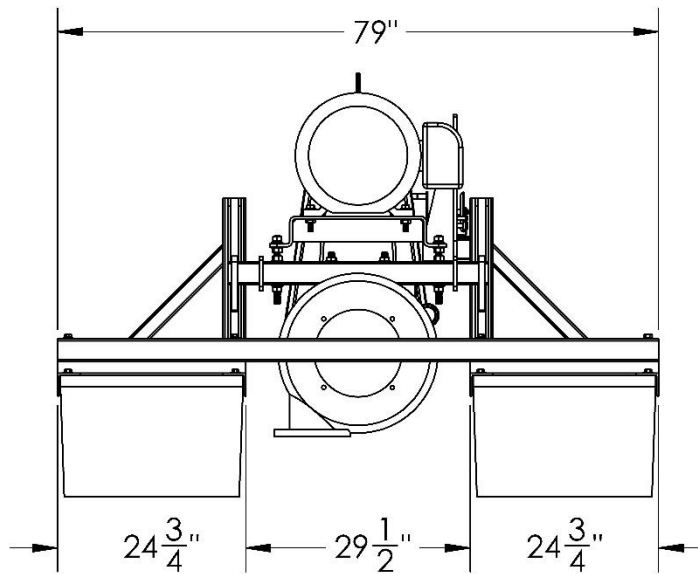
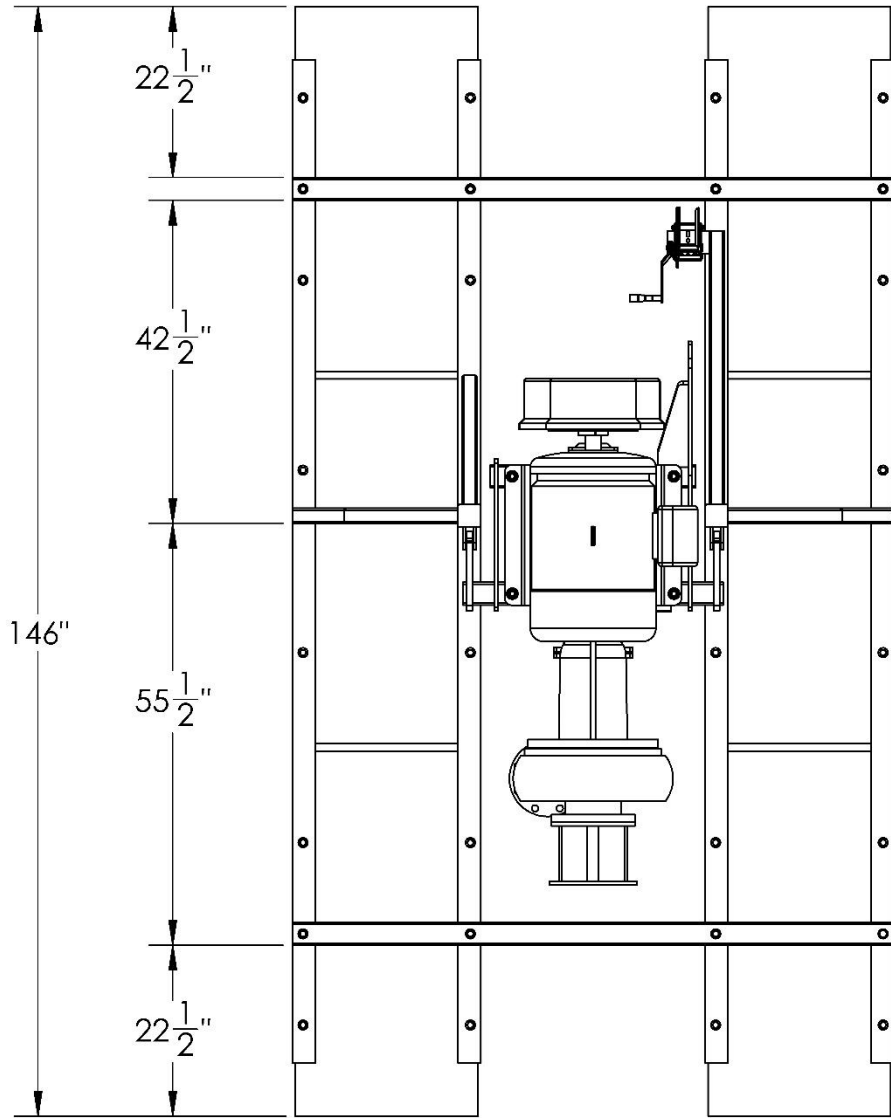


Label	Part #	Description	Label	Part #	Description
1	K681	Outboard Bearing Cover	13	F413	Slinger O-Ring
2	O840	Bearing Lock Nut	14	L841	Stainless Steel Slinger
3	G811	Bearing Lock Washer	15	O644	Brass Bushing
4	L679	Outboard Bearing (2ea)	16	K859	Inboard Bearing Cover
5	N811	Outboard Bearing Housing	17	L721	5" X 4" X 11" Wear Pad (Heat Treated)
6	P451	Float Pump Shaft		Z212	6" X 5" X 11" Wear Pad (Heat Treated)
7	V278	¾" X 2-1/4" LH Thread Impeller Bolt		E558	8" X 6" X 14" Wear Pad (Heat Treated)
8	E715	Housing Fluid End Gasket		F820	10" X 8" X 14" Wear Pad (Heat Treated)
9	V731	6" X 5" X 11" - 3 Blade Impeller	18	X478	5" X 4" X 14" Housing ASM
	P833	6" X 5" X 14" - 3 Blade Impeller		Y967	6" X 5" X 14" Housing ASM
	T781	8" X 6" X 11" - 3 Blade Impeller		J301	8" X 6" X 14" Housing ASM
	B985	8" X 6" X 14" - 3 Blade Impeller		S291	10" X 8" X 14" Housing ASM
	Z593	10" X 8" X 14" - 5 Blade Impeller		19	S777
10	K704	Mechanical Seal	20	U377	Inboard Bearing
11	O648	Stuffing Box	21	L387	Inboard Lip Seal
12	E492	Stainless Steel Shaft Sleeve			

# GL250 Float Pump - Overall Dimensions



# GL250 Float Pump - Overall Dimensions





---

For Technical Support, to order Replacement Parts, or for questions about other products,  
please contact your local dealer.

---